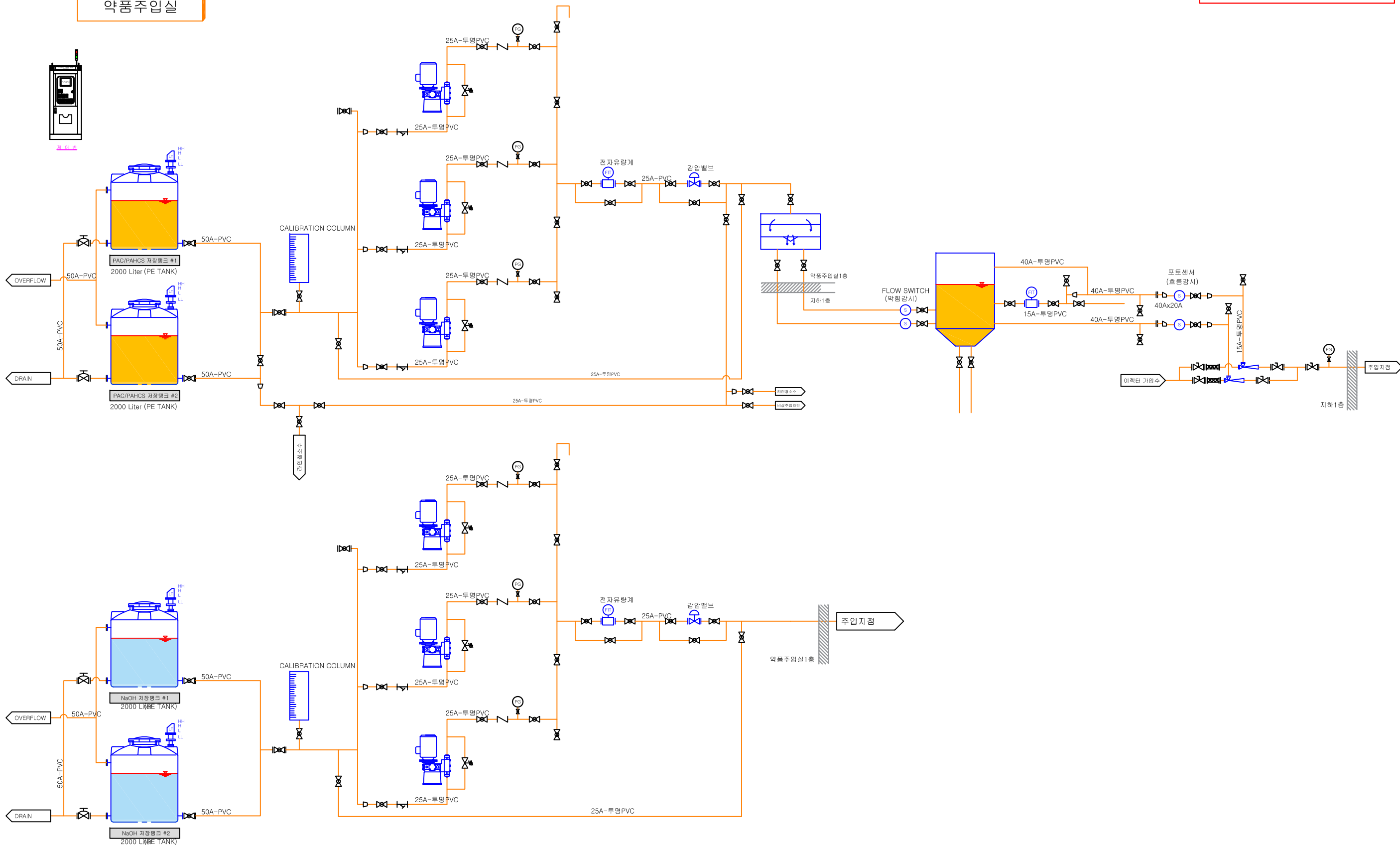


변경전

약품주입실



서울특별시 상수도 사업본부
OFFICE OF WATER WORKS
SEOUL METROPOLITAN GOVERNMENT

MK.	DATE	DESCRIPTION	DRN	DES	CHK	APP
△	/					
△	/					
△	/					

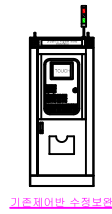
PROJECT TITLE
강북아리수정수센터
약품주입설비(PAC, NaOH)

DRAWING NAME
1계열
약품주입설비 P & ID

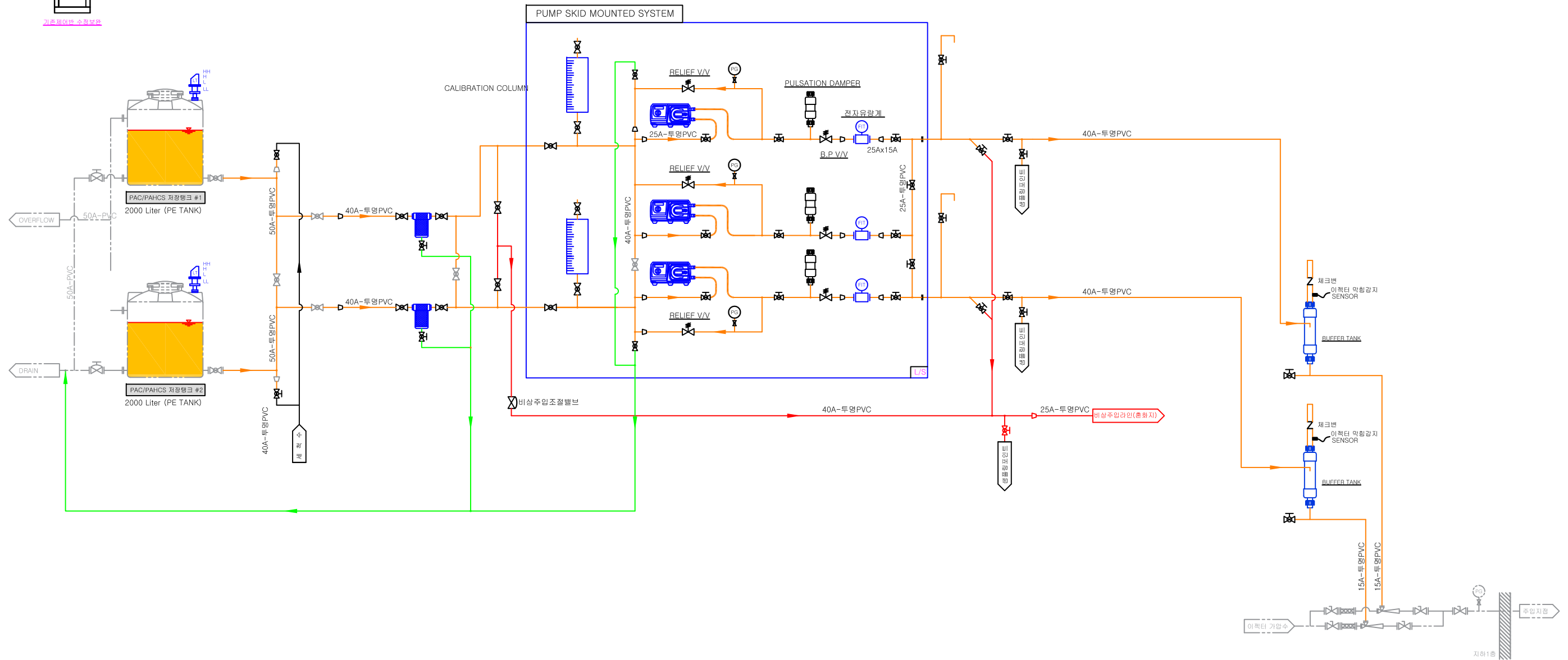
DRN	SCALE	NONE
DES	DATE	2018.03
CHK	SHT NO.	
APP	DRAWING NO.	F17041-PNID-101

변경후

약품주입실



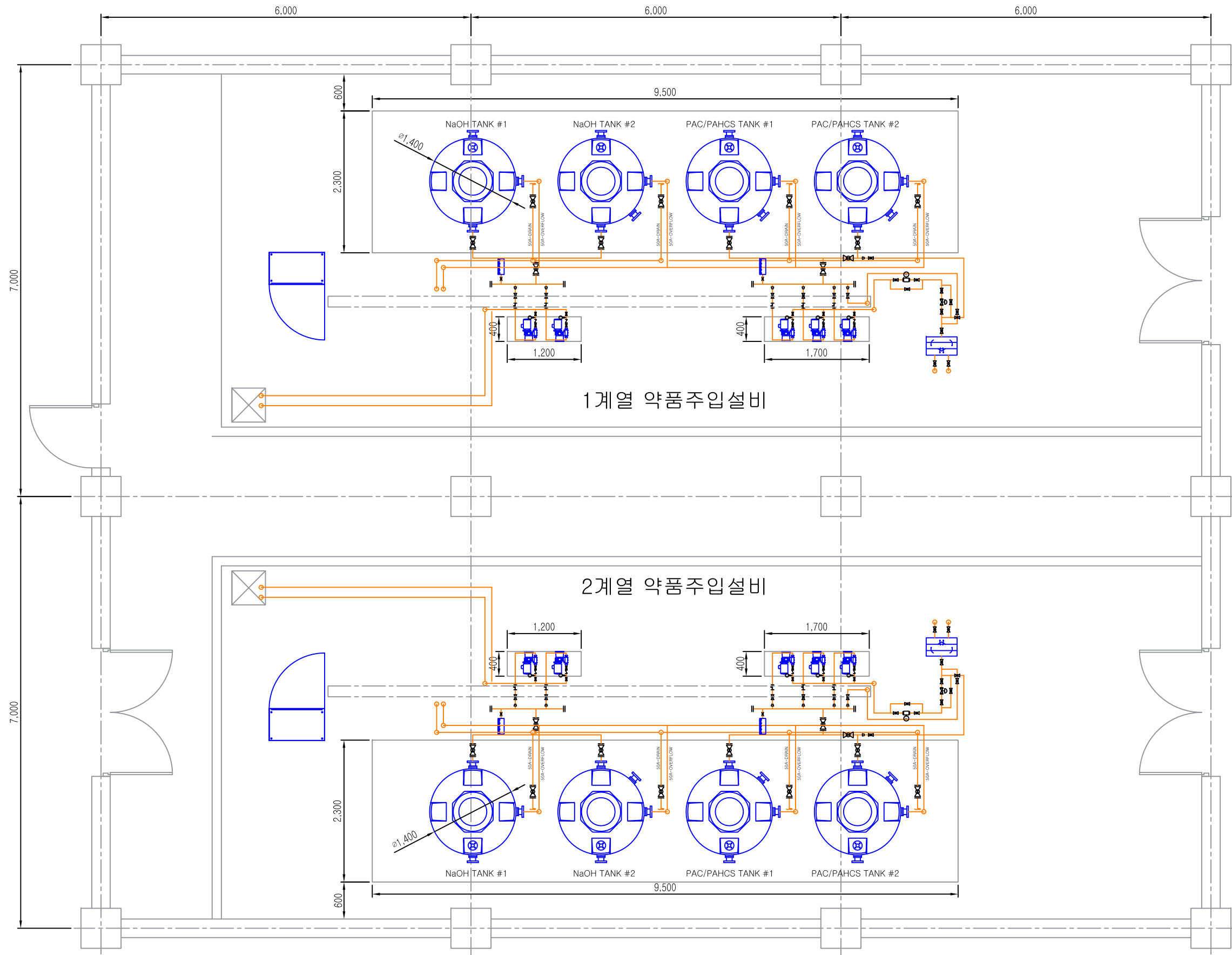
기존설비변 수정내용



MK.	DATE	DESCRIPTION	DRN	DES	CHK	APP
△	/					
△	/					
△	/					

DRN	SCALE
DES	NONE
CHK	DATE 2018.03
APP	SHT NO.
	DRAWING NO. F17041-PNID-102

변경 전



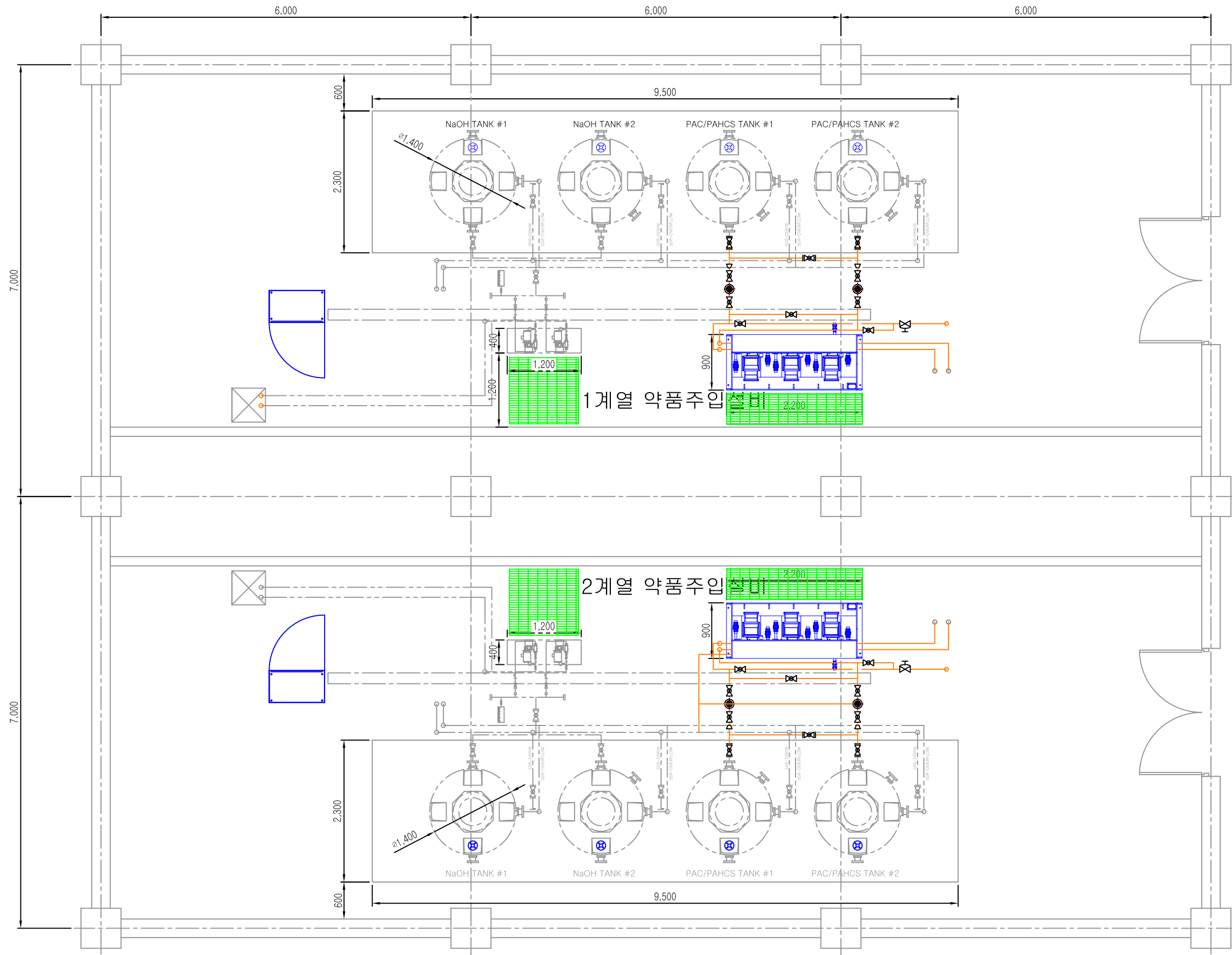
MK.	DATE	DESCRIPTION	DRN	DES	CHK	APP
△	/					
△	/					
△	/					

PROJECT TITLE
강북아리수정수센터 약품주입설비 (PAC/PAHCS, NaOH)

DRAWING NAME
1, 2계열 약품주입설비 평면도

DRN
DES
CHK
APP

SCALE	NONE
DATE	2018.03
SHT NO.	
DRAWING NO.	F17041-PLAN-101



MK.	DATE	DESCRIPTION	DRN	DES	CHK	APP
△	/					
△	/					
△	/					

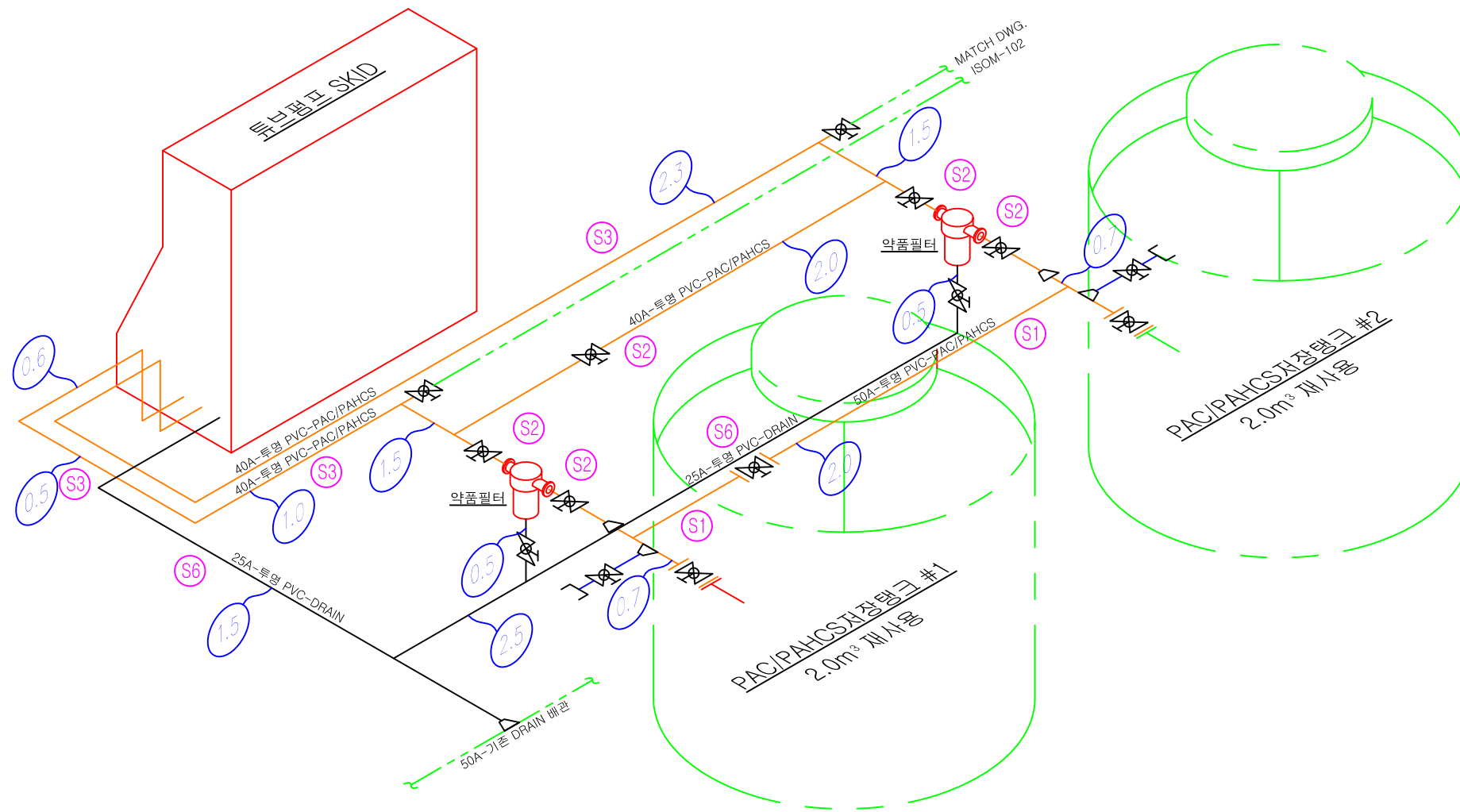
PROJECT TITLE	강북아리수정수센터 약품주입설비 (PAC/PAHCS, NaOH)
---------------	---------------------------------------

DRAWING NAME	1, 2계열 약품주입설비 평면도
--------------	----------------------

DRN	
DES	
CHK	
APP	

SCALE	NONE
DATE	2018.03
SHT NO.	
DRAWING NO.	F17041-PLAN-102

NO.	ITEM	SPECIFICATION	MATERIAL	Q'TY	UNIT	REMARK
1	PIPE	50A	투명 PVC	11.20	m	(2.0+0.7+0.7)
2	PIPE	40A	투명 PVC	10.50	m	(1.5+1.5+2.0+2.3+1.0+0.5+0.5+0.6+0.6)
3	PIPE	25A	투명 PVC	5.00	m	(1.5+2.5+0.5+0.5)
4	90 ELBOW	40A	투명 PVC	8	EA	
5	90 ELBOW	25A	투명 PVC	2	EA	
6	TEE	50A	투명 PVC	2	EA	
7	TEE	40A	투명 PVC	4	EA	
8	TEE	25A	투명 PVC	2	EA	
9	REDUCER TEE	50A x 40A	PVC SCH80	2	EA	
10	REDUCER TEE	50A x 25A	PVC SCH80	1	EA	
11	REDUCER	50A x 40A	PVC SCH80	2	EA	
12	FLANGE	50A	PVC SCH80	4	EA	
13	GASKET	50A	EPDM 3t	6	EA	4
14	B/N/2PW	M16x65L	STS304	24	EA	50A, PVC SCH80+PVC SCH80
15	약품필터	BUCKET TYPE, 40A	PVC	2	EA	
16	BALL VALVE	FLANGE TYPE, 50A	PVC SCH80	3	EA	
17	BALL VALVE	D/B UNION TYPE, 40A	PVC SCH80	9	EA	
18	BALL VALVE	D/B UNION TYPE, 25A	PVC SCH80	2	EA	
19	컴록	40A	PE	2	EA	



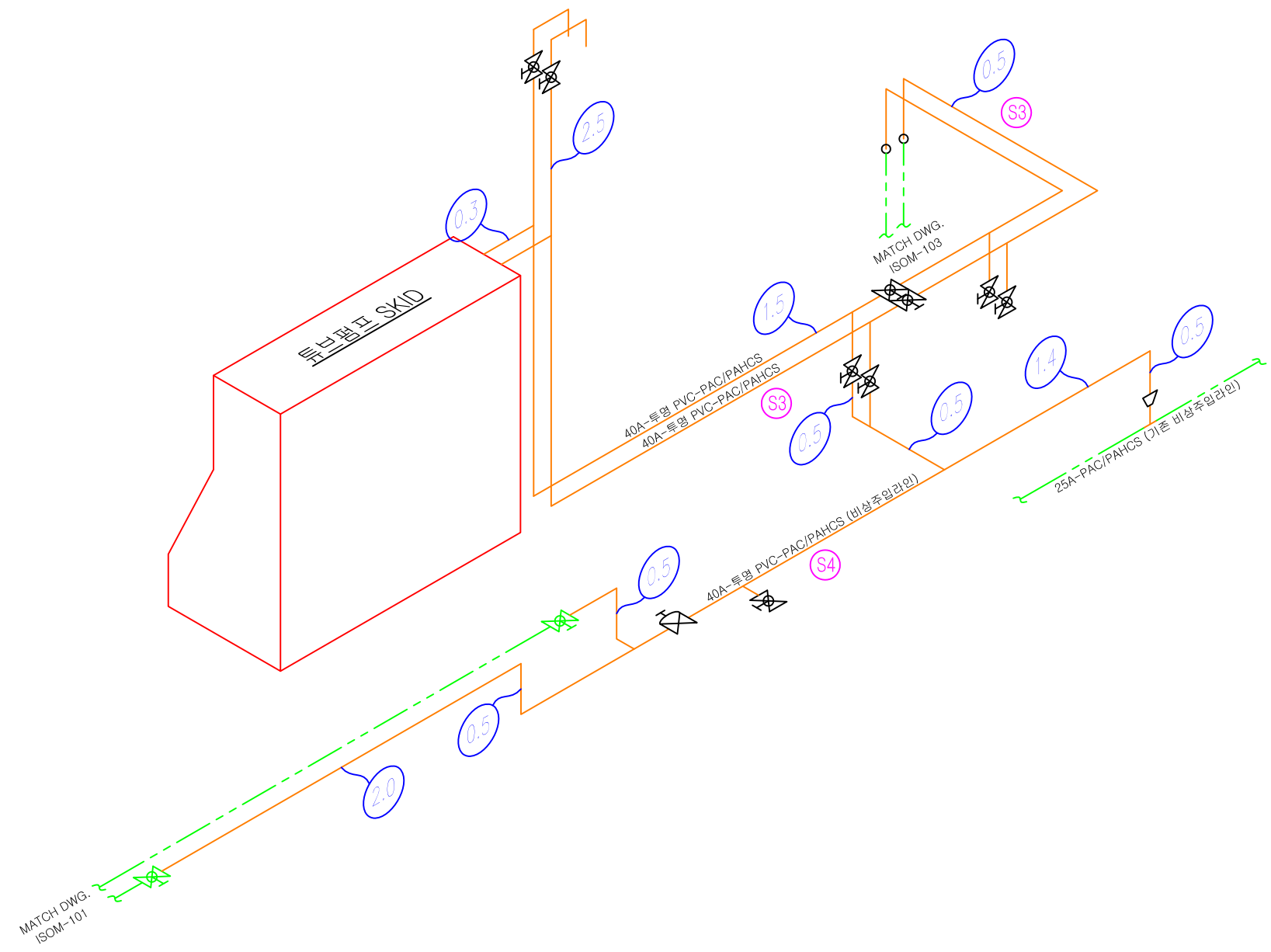
MK.	DATE	DESCRIPTION	DRN	DES	CHK	APP
△	/					
△	/					
△	/					

PROJECT TITLE
 강북아리수정수센터
 약품주입설비(PAC, NaOH)

DRAWING NAME
 약품주입설비 배관물량산출도 [1계열]

DRN	SCALE	NONE
DES	DATE	2018.03
CHK	SHT NO.	
APP	DRAWING NO.	F17041-ISOM-101

NO.	ITEM	SPECIFICATION	MATERIAL	Q'TY	UNIT	REMARK
1	PIPE	40A	투명 PVC	16.00	m	(0.3+0.3+2.5+2.5+1.5+1.5+0.5+0.5+0.5+0.5+0.5+1.4+0.5+0.5+0.5+2.0)
2	90 ELBOW	40A	투명 PVC	16	EA	
3	TEE	40A	투명 PVC	10	EA	
4	TEE	25A	투명 PVC	1	EA	
5	REDUCER	40A x 25A	PVC SCH80	1	EA	
6	DIAPHRAGM VALVE	D/B UNION TYPE, 40A	PVC SCH80	1	EA	
7	BALL VALVE	D/B UNION TYPE, 40A	PVC SCH80	9	EA	
8	CORE(바닥)	200mm x Ø70		2	개소	




서울특별시 상수도 사업본부
 OFFICE OF WATER WORKS
 SEOUL METROPOLITAN GOVERNMENT

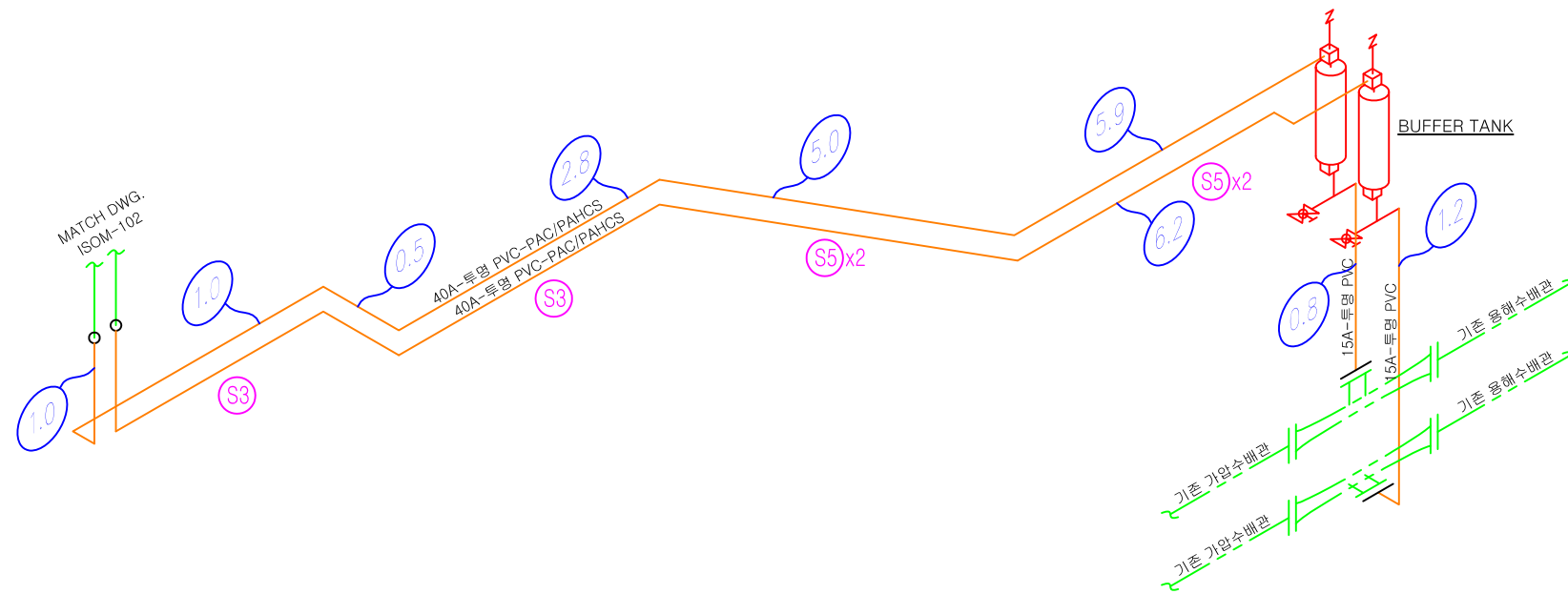
MK.	DATE	DESCRIPTION	DRN	DES	CHK	APP
△	/					
△	/					
△	/					

PROJECT TITLE
 강북아리수정수센터
 약품주입설비(PAC, NaOH)

DRAWING NAME
 약품주입설비 배관물량산출도 [1계열]

DRN	SCALE	NONE
DES	DATE	2018.03
CHK	SHT NO.	
APP	DRAWING NO.	F17041-ISOM-102

NO.	ITEM	SPECIFICATION	MATERIAL	Q'TY	UNIT	REMARK
1	PIPE	40A	투명 PVC	44.80	m	(1.0+1.0+1.0+1.0+0.5+0.5+2.8+2.8+5.0+5.0+5.9+5.9+6.2+6.2)
2	PIPE	15A	투명 PVC	2.00	m	(0.8+1.2)
3	90 ELBOW	40A	투명 PVC	9	EA	
4	90 ELBOW	15A	투명 PVC	3	EA	
5	45 ELBOW	40A	투명 PVC	4	EA	
6	SOCKET	40A	투명 PVC	4	EA	
7	FLANGE	15A	PVC SCH80	2	EA	
8	GASKET	15A	EPDM 3t	2	EA	4
9	B/N/2PW	M16x50L	STS304	8	EA	15A, PVC SCH80+PVC




서울특별시 상수도 사업본부
 OFFICE OF WATER WORKS
 SEOUL METROPOLITAN GOVERNMENT

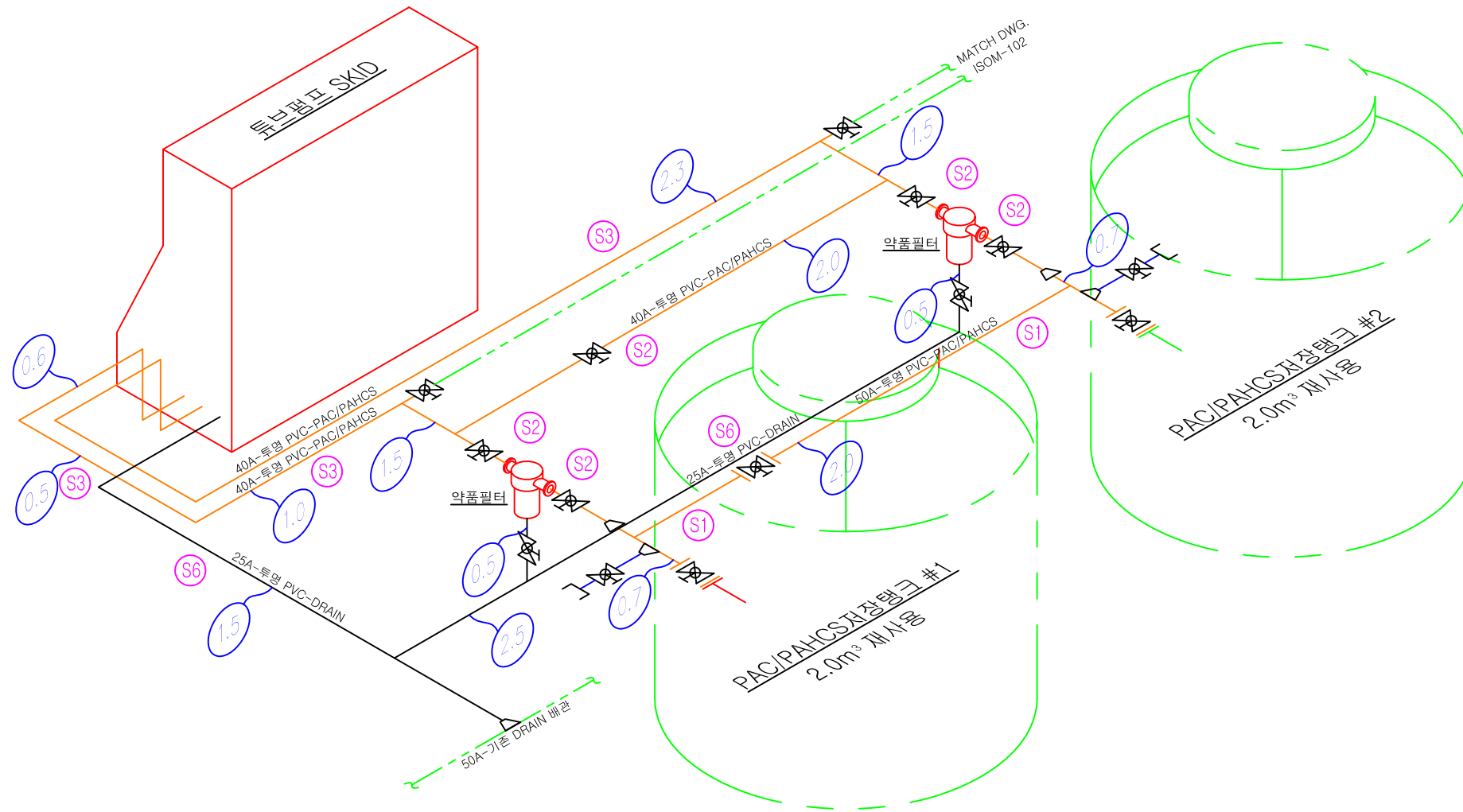
MK.	DATE	DESCRIPTION	DRN	DES	CHK	APP
△	/					
△	/					
△	/					

PROJECT TITLE
 강북아리수정수센터
 약품주입설비(PAC, NaOH)

DRAWING NAME
 약품주입설비 배관물량산출도 [1계열]

DRN	SCALE	NONE
DES	DATE	2018.03
CHK	SHT NO.	
APP	DRAWING NO.	F17041-ISOM-103

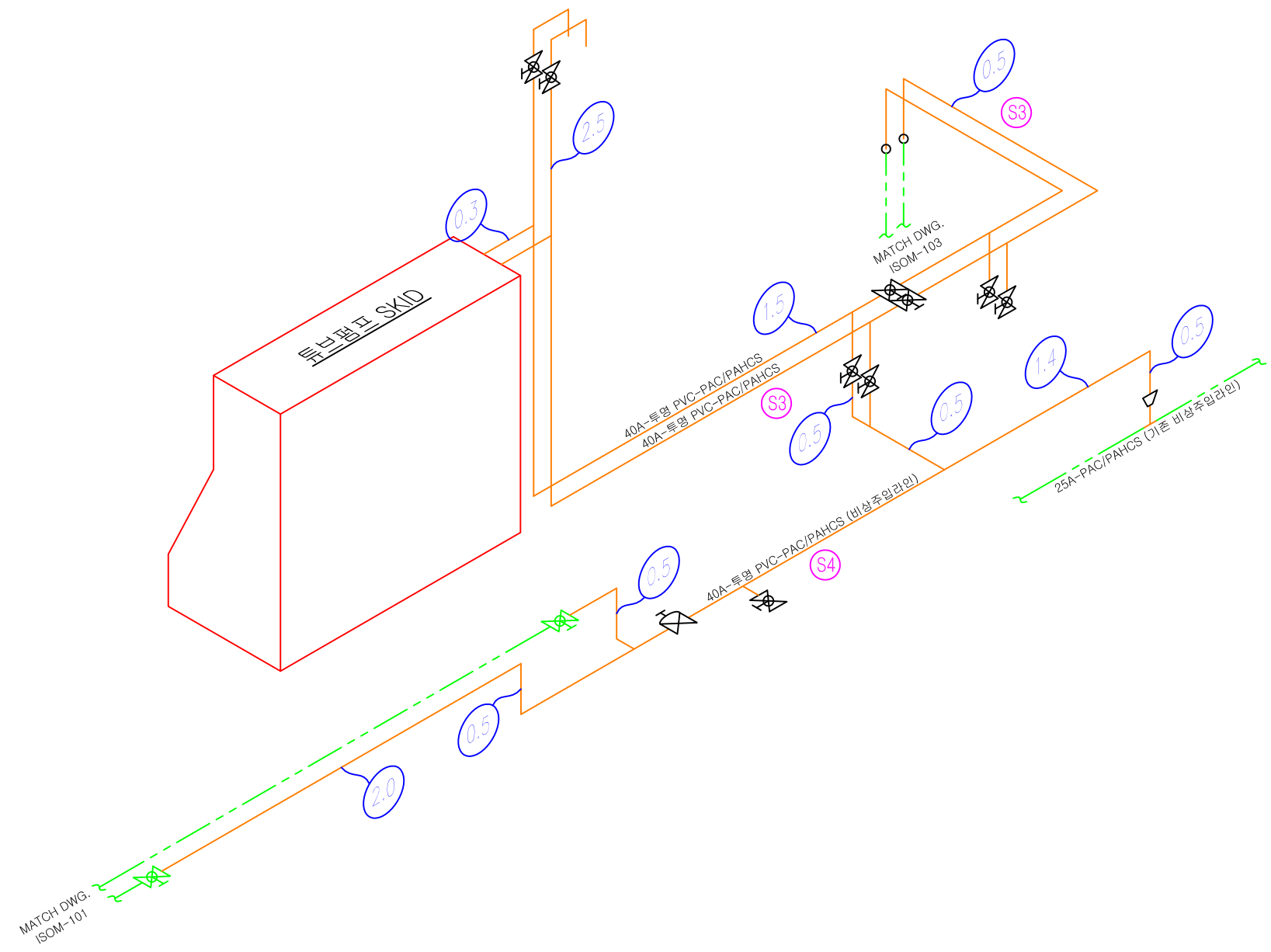
NO.	ITEM	SPECIFICATION	MATERIAL	Q'TY	UNIT	REMARK
1	PIPE	50A	투명 PVC	11.20	m	(2.0+0.7+0.7)
2	PIPE	40A	투명 PVC	10.50	m	(1.5+1.5+2.0+2.3+1.0+0.5+0.5+0.6+0.6)
3	PIPE	25A	투명 PVC	5.00	m	(1.5+2.5+0.5+0.5)
4	90 ELBOW	40A	투명 PVC	8	EA	
5	90 ELBOW	25A	투명 PVC	2	EA	
6	TEE	50A	투명 PVC	2	EA	
7	TEE	40A	투명 PVC	4	EA	
8	TEE	25A	투명 PVC	2	EA	
9	REDUCER TEE	50A x 40A	PVC SCH80	2	EA	
10	REDUCER TEE	50A x 25A	PVC SCH80	1	EA	
11	REDUCER	50A x 40A	PVC SCH80	2	EA	
12	FLANGE	50A	PVC SCH80	4	EA	
13	GASKET	50A	EPDM 3t	6	EA	4
14	B/N/2PW	M16x65L	STS304	24	EA	50A, PVC SCH80+PVC SCH80
15	약품필터	BUCKET TYPE, 40A	PVC	2	EA	
16	BALL VALVE	FLANGE TYPE, 50A	PVC SCH80	3	EA	
17	BALL VALVE	D/B UNION TYPE, 40A	PVC SCH80	9	EA	
18	BALL VALVE	D/B UNION TYPE, 25A	PVC SCH80	2	EA	
19	컴록	40A	PE	2	EA	



MK.	DATE	DESCRIPTION	DRN	DES	CHK	APP
△	/					
△	/					
△	/					

DRN	SCALE	NONE
DES	DATE	2018.03
CHK	SHT NO.	
APP	DRAWING NO.	F17041-ISOM-104

NO.	ITEM	SPECIFICATION	MATERIAL	Q'TY	UNIT	REMARK
1	PIPE	40A	투명 PVC	16.00	m	(0.3+0.3+2.5+2.5+1.5+1.5+0.5+0.5+0.5+0.5+0.5+1.4+0.5+0.5+0.5+2.0)
2	90 ELBOW	40A	투명 PVC	16	EA	
3	TEE	40A	투명 PVC	10	EA	
4	TEE	25A	투명 PVC	1	EA	
5	REDUCER	40A x 25A	PVC SCH80	1	EA	
6	DIAPHRAGM VALVE	D/B UNION TYPE, 40A	PVC SCH80	1	EA	
7	BALL VALVE	D/B UNION TYPE, 40A	PVC SCH80	9	EA	
8	CORE(바닥)	200mm x Ø70		2	개소	




서울특별시 상수도 사업본부
 OFFICE OF WATER WORKS
 SEOUL METROPOLITAN GOVERNMENT

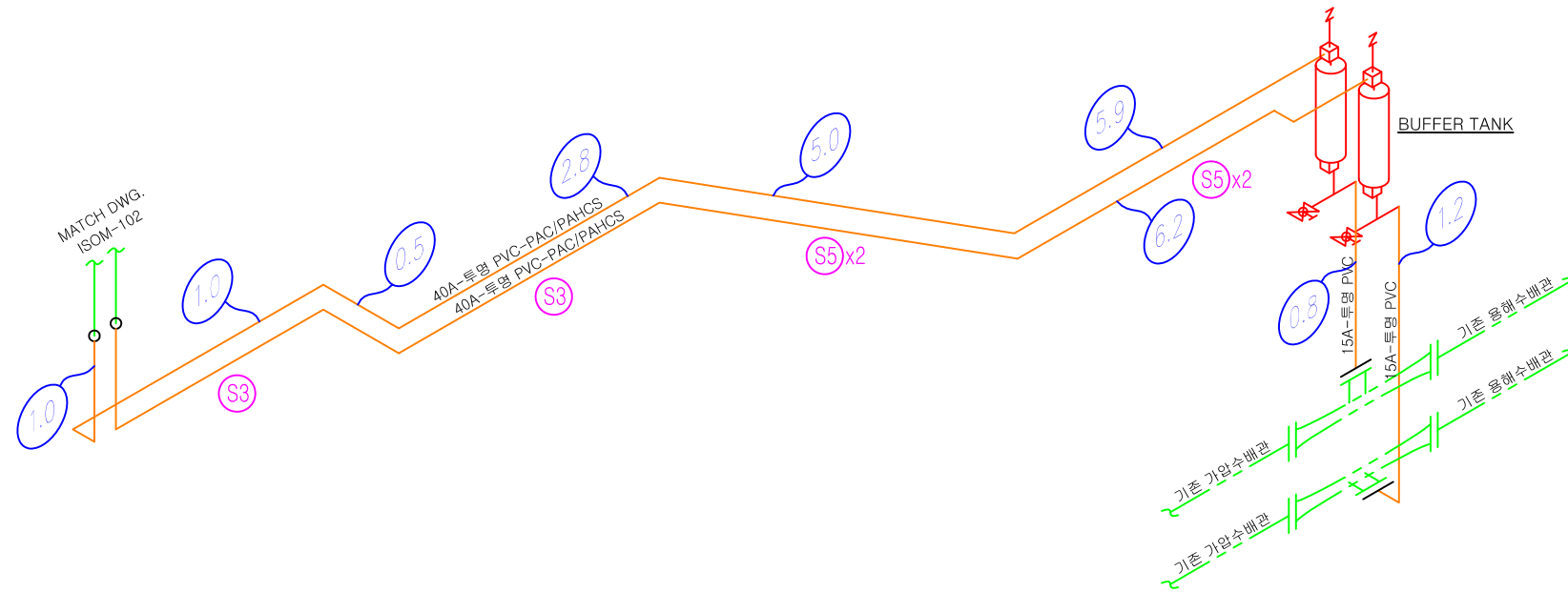
MK.	DATE	DESCRIPTION	DRN	DES	CHK	APP
△	/					
△	/					
△	/					

PROJECT TITLE
 강북아리수정수센터
 약품주입설비(PAC, NaOH)

DRAWING NAME
 약품주입설비 배관물량산출도 [2계열]

DRN	SCALE	NONE
DES	DATE	2018.03
CHK	SHT NO.	
APP	DRAWING NO.	F17041-ISOM-105

NO.	ITEM	SPECIFICATION	MATERIAL	Q'TY	UNIT	REMARK
1	PIPE	40A	투명 PVC	44.80	m	(1.0+1.0+1.0+1.0+0.5+0.5+2.8+2.8+5.0+5.0+5.9+5.9+6.2+6.2)
2	PIPE	15A	투명 PVC	2.00	m	(0.8+1.2)
3	90 ELBOW	40A	투명 PVC	9	EA	
4	90 ELBOW	15A	투명 PVC	3	EA	
5	45 ELBOW	40A	투명 PVC	4	EA	
6	SOCKET	40A	투명 PVC	4	EA	
7	FLANGE	15A	PVC SCH80	2	EA	
8	GASKET	15A	EPDM 3t	2	EA	4
9	B/N/2PW	M16x50L	STS304	8	EA	15A, PVC SCH80+PVC



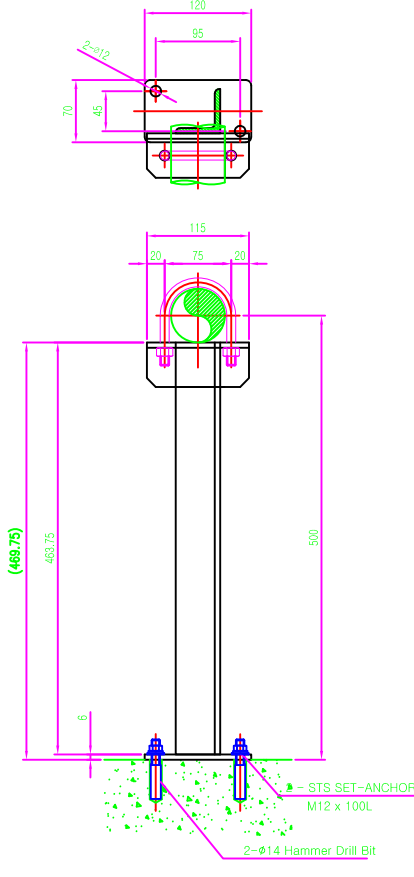
MK.	DATE	DESCRIPTION	DRN	DES	CHK	APP
△	/					
△	/					
△	/					

PROJECT TITLE
 강북아리수정수센터
 약품주입설비(PAC, NaOH)

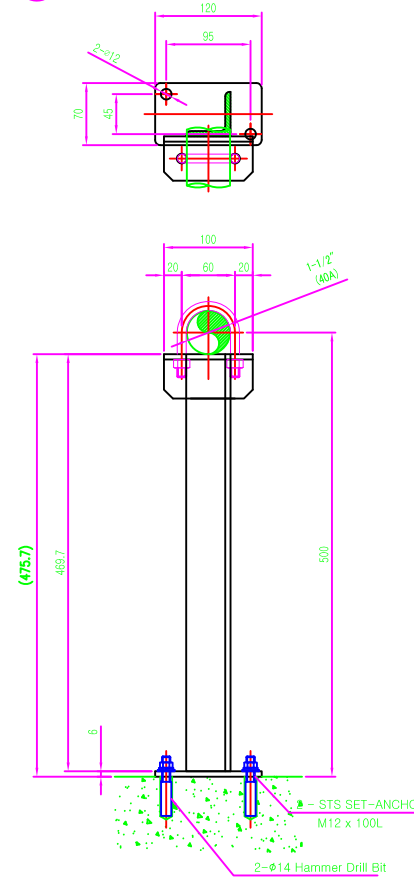
DRAWING NAME
 약품주입설비 배관물량산출도 [2계열]

DRN	SCALE	NONE
DES	DATE	2018.03
CHK	SHT NO.	
APP	DRAWING NO.	F17041-ISOM-106

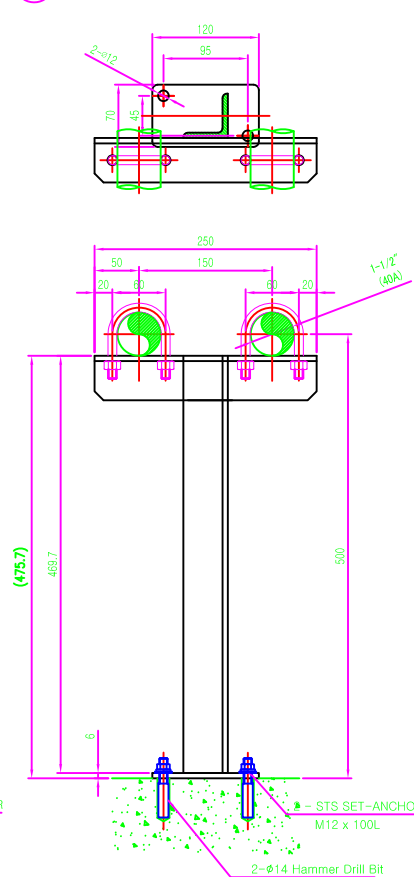
S1 x 4



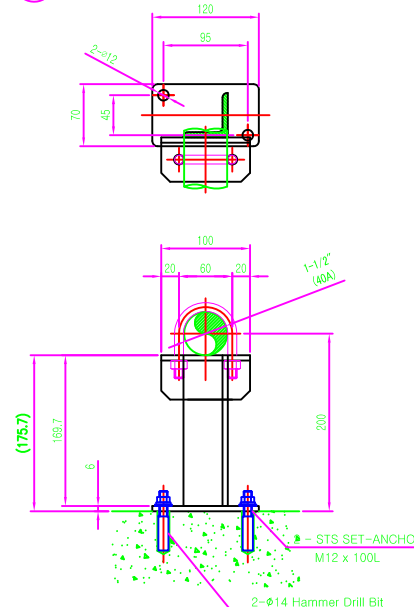
S2 x 10



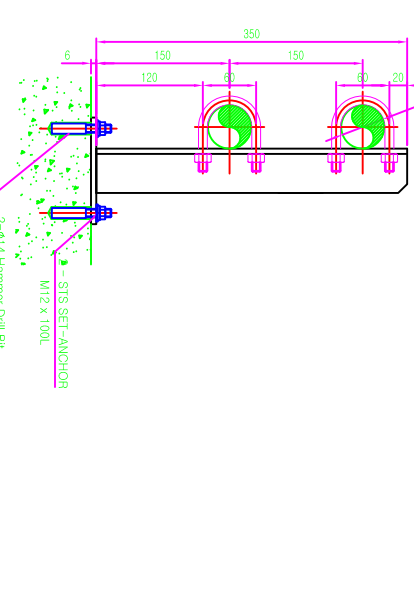
S3 x 14



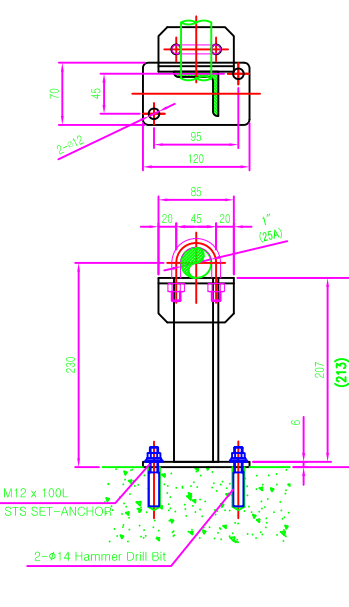
S4 x 2



S5 x 8



S6 x 4



NO.	ITEM	SPECIFICATION	MATERIAL	Q'TY	UNIT	REMARK
1	ANGLE	50x50x4t	STS304	69.37	kg	
2	PLATE	120x70x6t	STS304	16.72	kg	
3	Set-Anchor	M12 x 100L	STS304	84	EA	
4	U-Bolt (절연)	3/8" x 50A	STS304	4	EA	
5	U-Bolt (절연)	3/8" x 40A	STS304	56	EA	
6	U-Bolt (절연)	3/8" x 25A	STS304	4	EA	
7	도장면적			522	m ²	
S1	SUPPORT			4	EA	
	ANGLE	50x50x4t	STS304	2.32	m	3.07 단위중량
	ANGLE	50x50x4t	STS304	7.11	kg	
	PLATE	120x70x6t	STS304	4	EA	7.9 비중
	PLATE	120x70x6t	STS304	1.59	kg	
	Set-Anchor	M12 x 100L	STS304	8	EA	
	U-Bolt (절연)	3/8" x 50A	STS304	4	EA	
	도장면적			0.53	m ²	
S2	SUPPORT			10	EA	
	ANGLE	50x50x4t	STS304	5.70	m	3.07 단위중량
	ANGLE	50x50x4t	STS304	17.49	kg	
	PLATE	120x70x6t	STS304	10	EA	7.9 비중
	PLATE	120x70x6t	STS304	3.98	kg	
	Set-Anchor	M12 x 100L	STS304	20	EA	
	U-Bolt (절연)	3/8" x 40A	STS304	10	EA	
	도장면적			1.31	m ²	
S3	SUPPORT			14	EA	
	ANGLE	50x50x4t	STS304	10.08	m	3.07 단위중량
	ANGLE	50x50x4t	STS304	30.93	kg	
	PLATE	120x70x6t	STS304	14	EA	7.9 비중
	PLATE	120x70x6t	STS304	5.57	kg	
	Set-Anchor	M12 x 100L	STS304	28	EA	
	U-Bolt (절연)	3/8" x 40A	STS304	28	EA	
	도장면적			2.25	m ²	
S4	SUPPORT			2	EA	
	ANGLE	50x50x4t	STS304	0.54	m	3.07 단위중량
	ANGLE	50x50x4t	STS304	1.66	kg	
	PLATE	120x70x6t	STS304	2	EA	7.9 비중
	PLATE	120x70x6t	STS304	0.80	kg	
	Set-Anchor	M12 x 100L	STS304	4	EA	
	U-Bolt (절연)	3/8" x 40A	STS304	2	EA	
	도장면적			0.14	m ²	
S5	SUPPORT			8	EA	
	ANGLE	50x50x4t	STS304	2.80	m	3.07 단위중량
	ANGLE	50x50x4t	STS304	8.60	kg	
	PLATE	120x70x6t	STS304	8	EA	7.9 비중
	PLATE	120x70x6t	STS304	3.19	kg	
	Set-Anchor	M12 x 100L	STS304	16	EA	
	U-Bolt (절연)	3/8" x 40A	STS304	16	EA	
	도장면적			0.69	m ²	
S6	SUPPORT			4	EA	
	ANGLE	50x50x4t	STS304	1.17	m	3.07 단위중량
	ANGLE	50x50x4t	STS304	3.59	kg	
	PLATE	120x70x6t	STS304	4	EA	7.9 비중
	PLATE	120x70x6t	STS304	1.59	kg	
	Set-Anchor	M12 x 100L	STS304	8	EA	
	U-Bolt (절연)	3/8" x 25A	STS304	4	EA	
	도장면적			0.30	m ²	

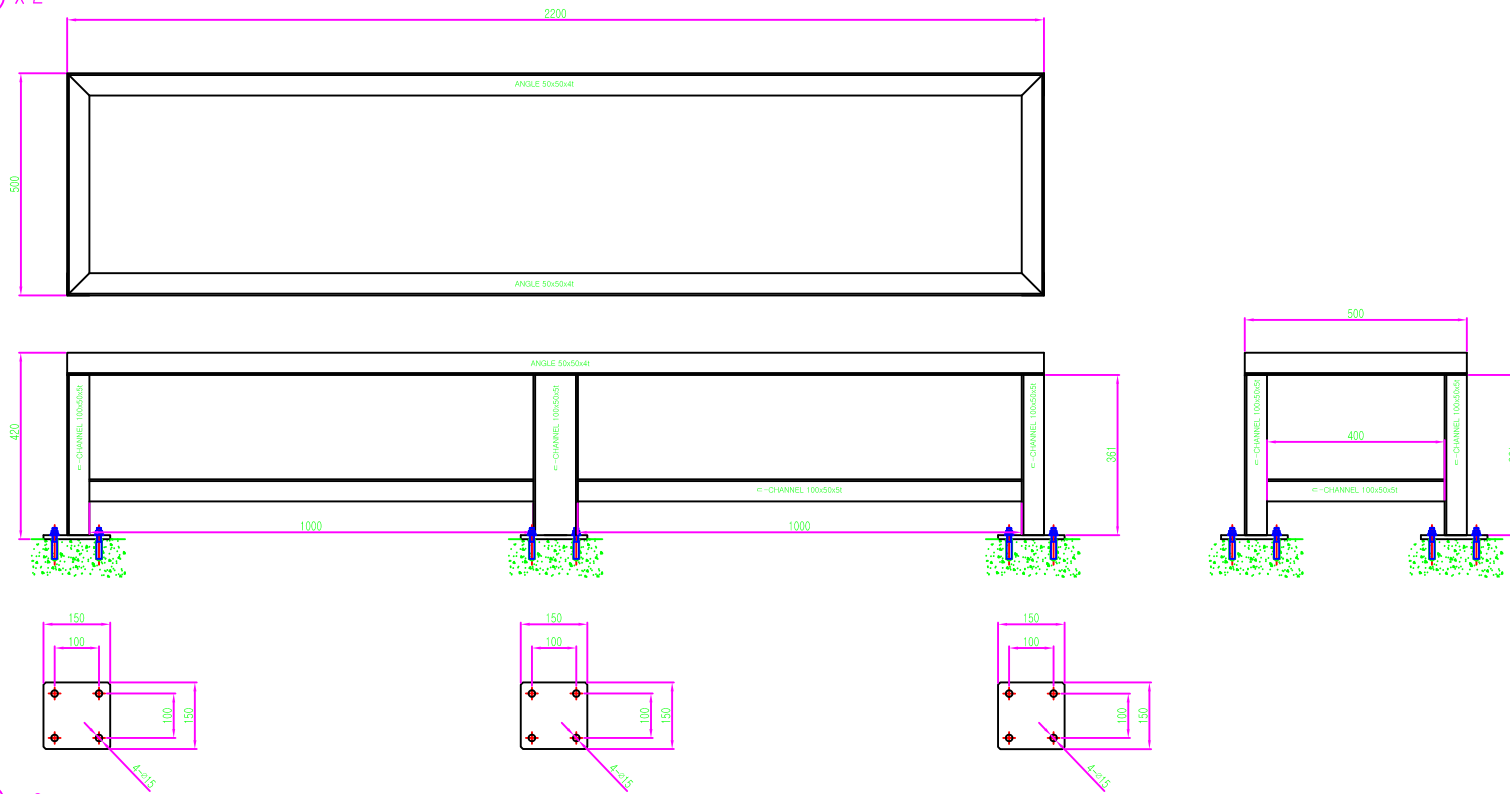
MK	DATE	DESCRIPTION	DRN	DES	CHK	APP
△	/					
△	/					
△	/					

PROJECT TITLE
강북아리수정수센터
약품주입설비(PAC, NaOH)

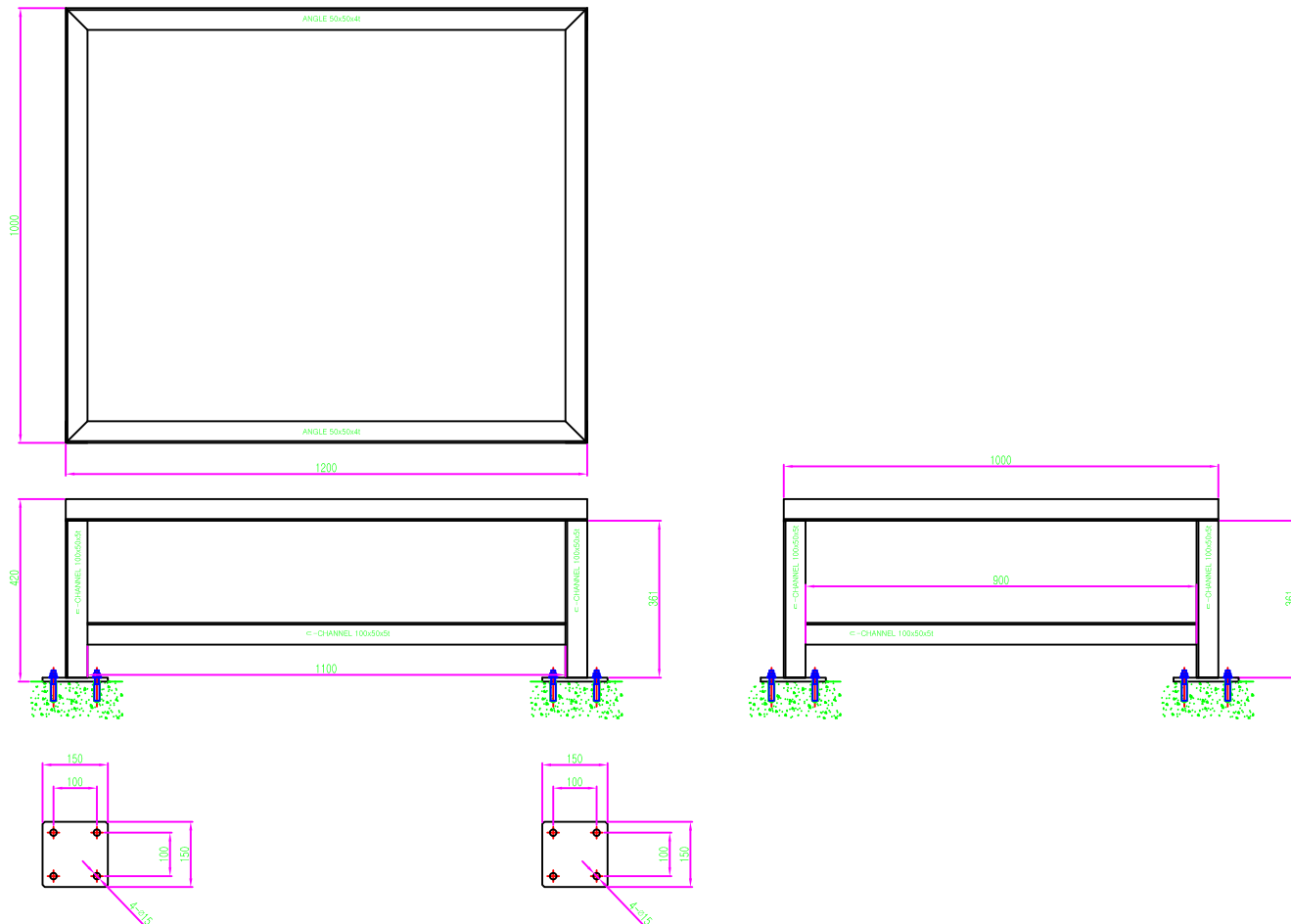
DRAWING NAME
약품주입설비 배관물량산출도 [1,2계열]

DRN	SCALE	NONE
DES	DATE	2018.03
CHK	SHT NO.	
APP	DRAWING NO.	F17041-ISOM-107

S7 x 2



S8 x 2



NO.	ITEM	SPECIFICATION	MATERIAL	Q'TY	UNIT	REMARK
1	□-CHANNEL	100x50x5t	STS304	189.13	kg	
2	ANGLE	50x50x4t	STS304	60.17	kg	
3	PLATE	150x150x9t	STS304	19.20	kg	
4	Set-Anchor	M12 x 100L	STS304	80	EA	
5	GRATING	W2190 * D490 * H40	FRP	2	EA	
6	GRATING	W1190 * D990 * H40	FRP	2	EA	
7	도장면적			25.85	m²	
S7	SUPPORT			2	EA	
	□-CHANNEL	100x50x5t	STS304	13.93	m	7.62
	□-CHANNEL	100x50x5t	STS304	106.16	kg	
	ANGLE	50x50x4t	STS304	10.80	m	3.07
	ANGLE	50x50x4t	STS304	33.16	kg	
	PLATE	150x150x9t	STS304	12	EA	7.9
	PLATE	150x150x9t	STS304	19.20	kg	
	Set-Anchor	M12 x 100L	STS304	48	EA	
	GRATING	W2190 * D490 * H40	FRP	2	EA	
	도장면적			14.93	m²	
S8	SUPPORT			2	EA	
	□-CHANNEL	100x50x5t	STS304	10.89	m	7.62
	□-CHANNEL	100x50x5t	STS304	82.97	kg	
	ANGLE	50x50x4t	STS304	8.80	m	3.07
	ANGLE	50x50x4t	STS304	27.02	kg	
	PLATE	150x150x12t	STS304	8	EA	7.9
	PLATE	150x150x12t	STS304	17.06	kg	
	Set-Anchor	M12 x 100L	STS304	32	EA	
	GRATING	W1190 * D990 * H40	FRP	2	EA	
	도장면적			10.92	m²	


서울특별시 상수도 사업본부
 OFFICE OF WATER WORKS
 SEOUL METROPOLITAN GOVERNMENT

MK.	DATE	DESCRIPTION	DRN	DES	CHK	APP
△	/					
△	/					
△	/					

PROJECT TITLE
 강북아리수정수센터
 약품주입설비(PAC, NaOH)

DRAWING NAME
 약품주입설비 배관물량산출도 [1,2계열]

DRN	SCALE
DES	NONE
CHK	DATE 2018.03
APP	SHT NO.
	DRAWING NO. F17041-ISOM-108