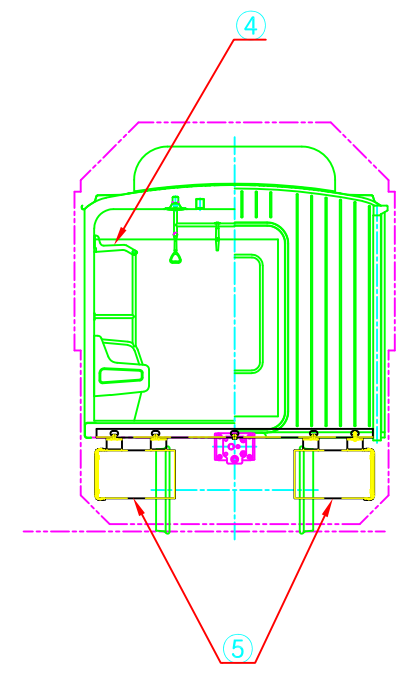
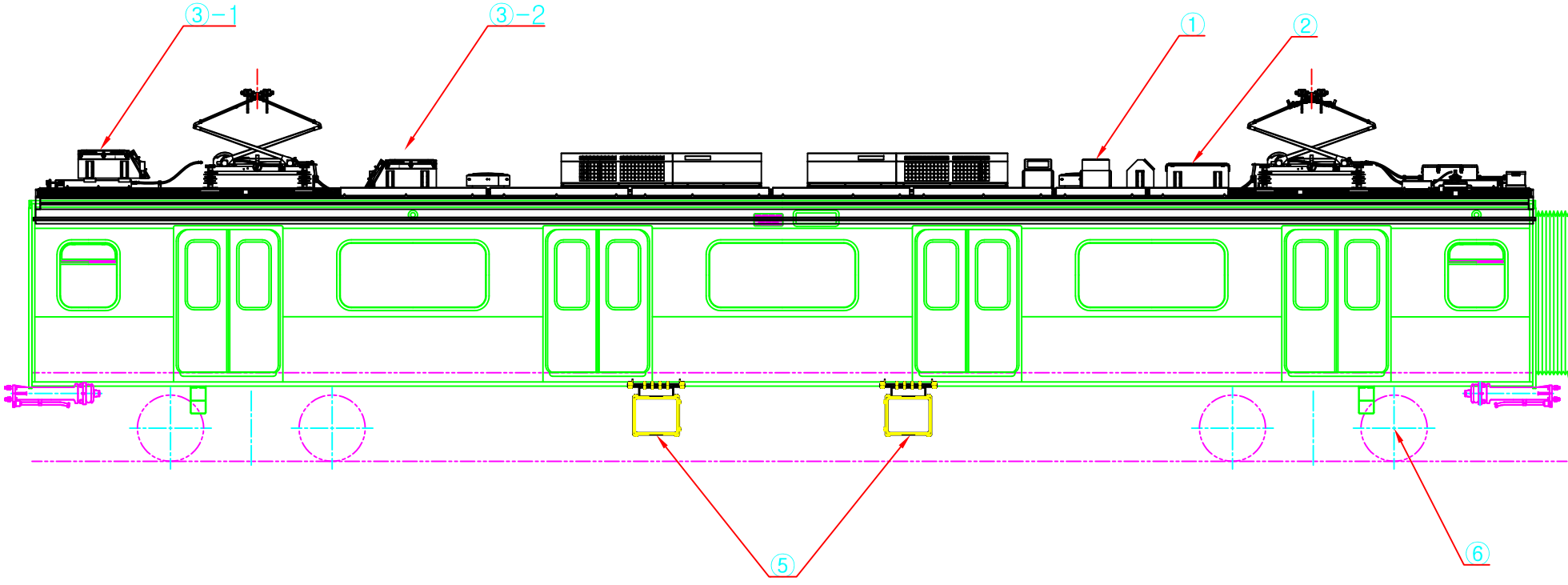
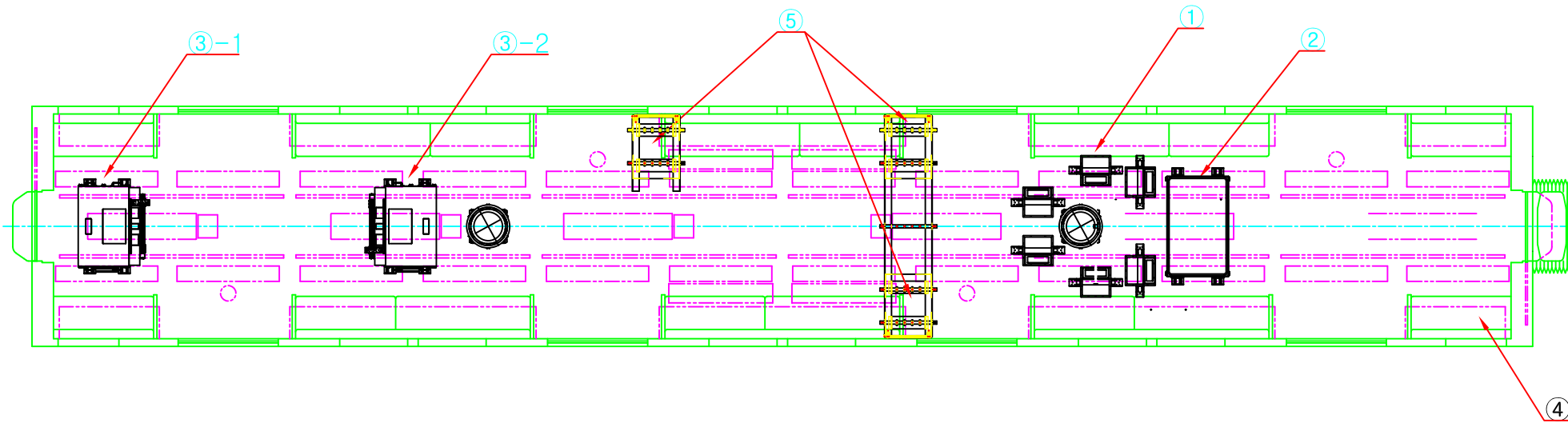


9 8 7 6 5 4 3

3 1

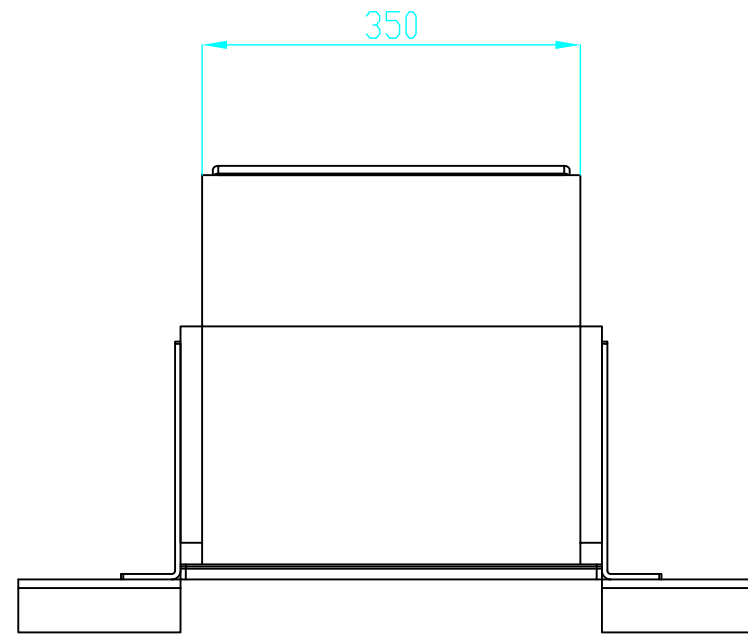
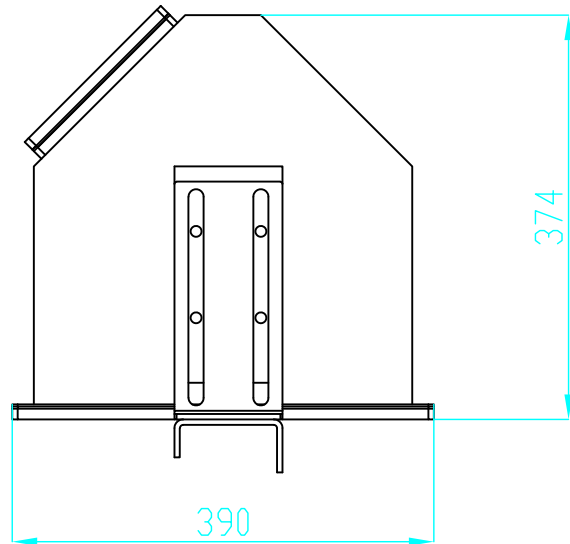
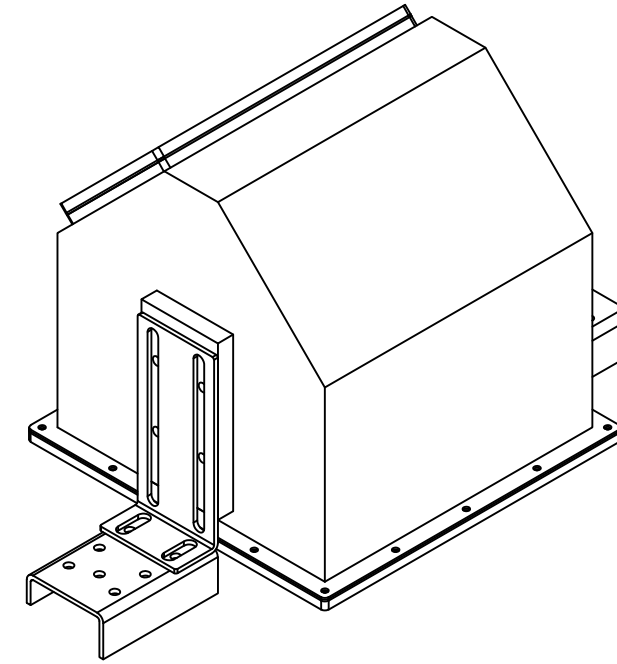
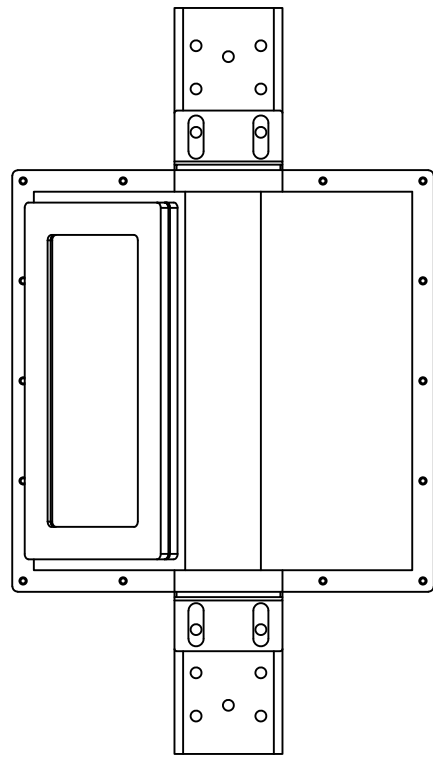
①	선로시설 검측장치 #1~#6
②	조명 컨트롤러함
③-1	팬터그래프 충격지점 검측장치 #1
③-2	팬터그래프 충격지점 검측장치 #2 아크영상 모니터링 장치
④	검측영상 및 분석결과 저장장치
⑤	선로시설 변형 분석장치
⑥	고정밀 이동거리 검측장치



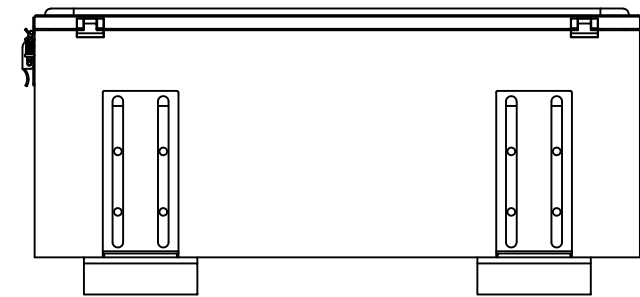
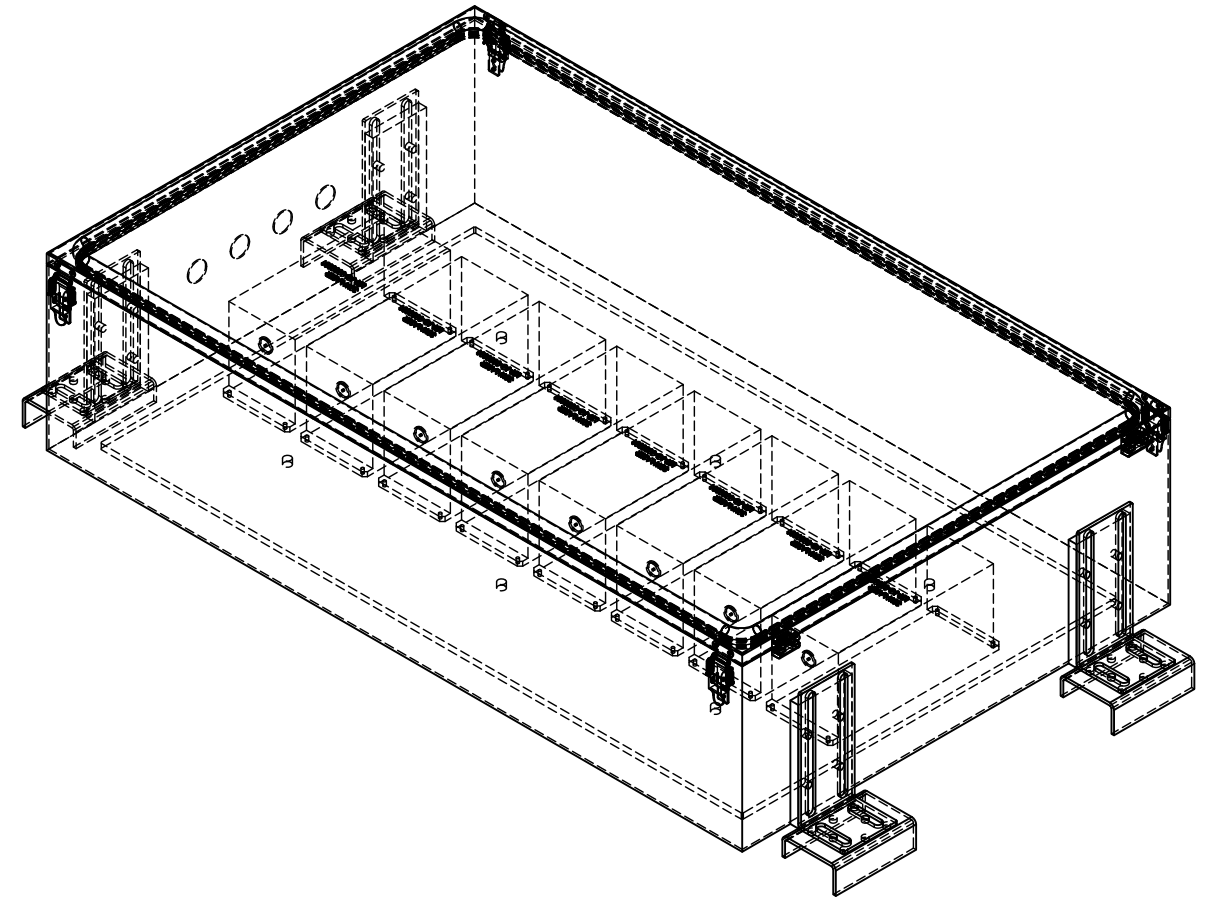
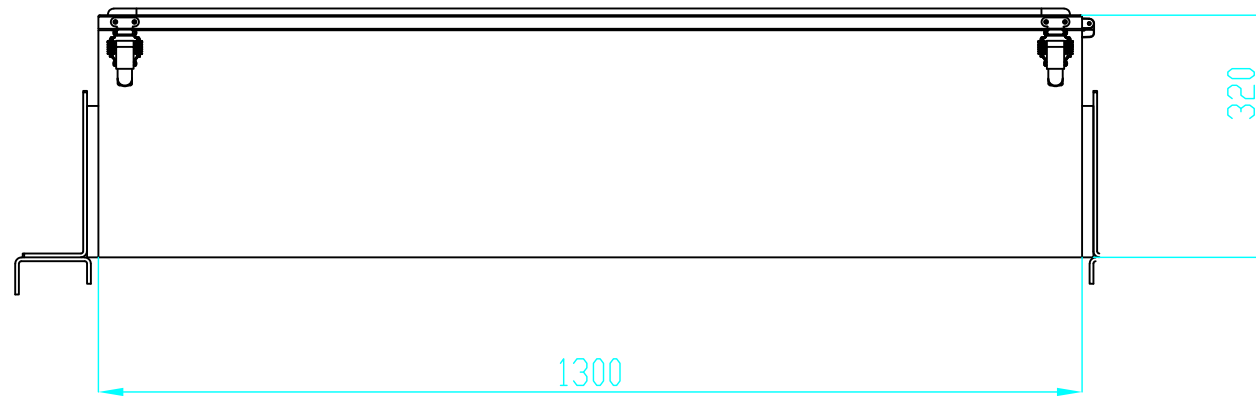
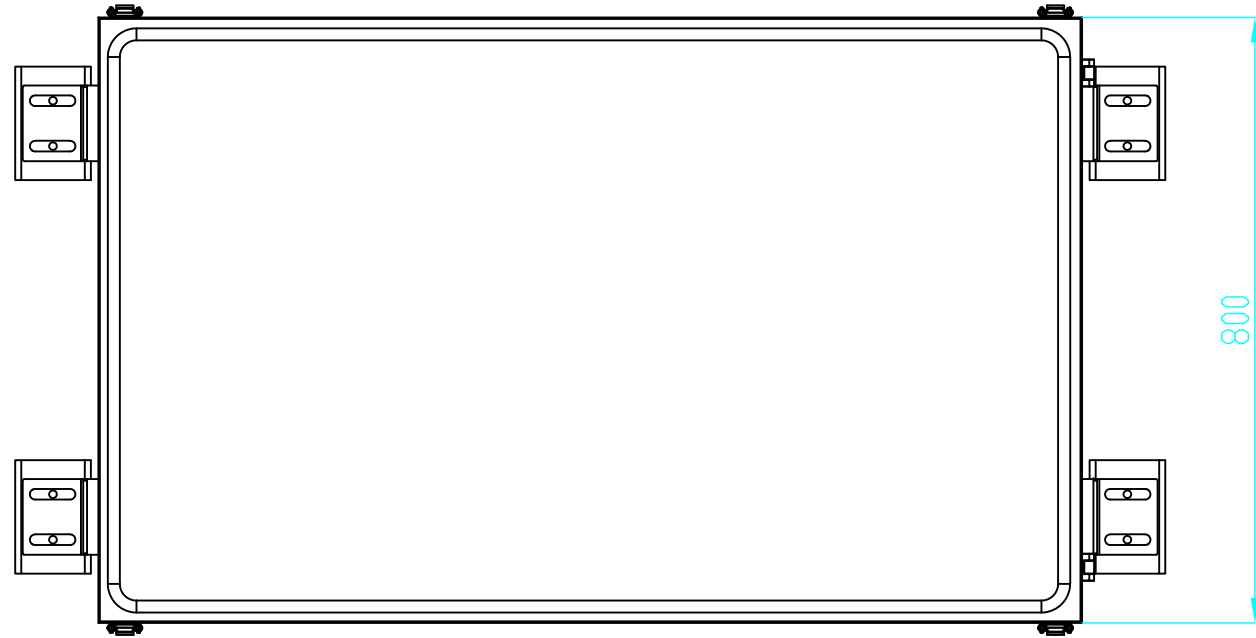
MODEL	MATERIAL	SCALE	Q' TY	TOLERANCE	2iSYS
				±0.1	
	FINISH	DRAWING BY	INSPECTED BY	APPROVED BY	DESCRIPTION
	DATE				시스템 설치도
					DWG No iis1804-01
					PART No -

9 8 7 6 5 4 3

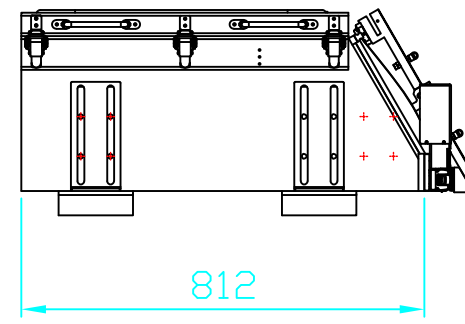
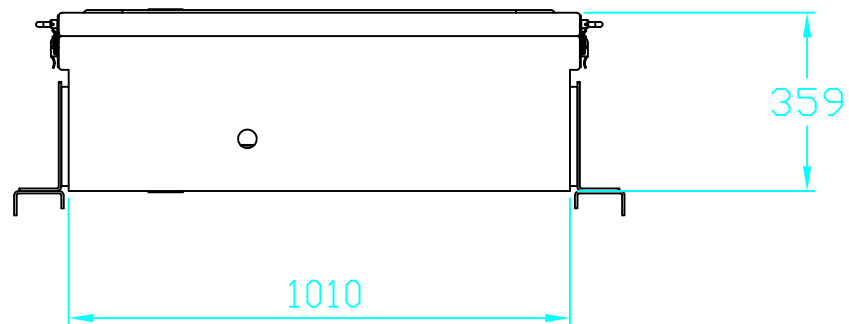
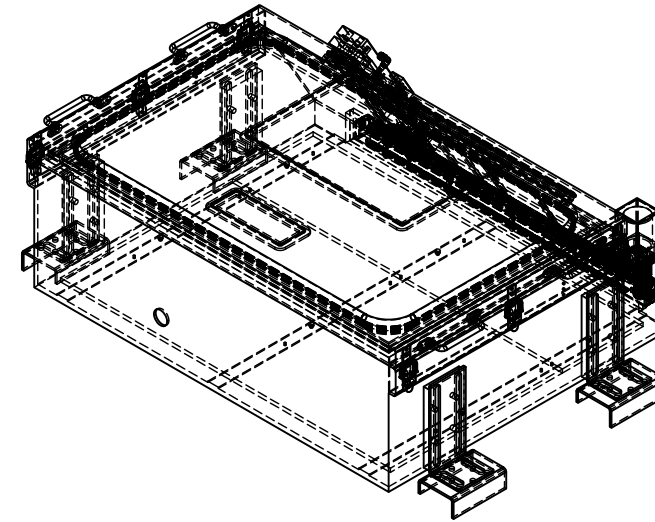
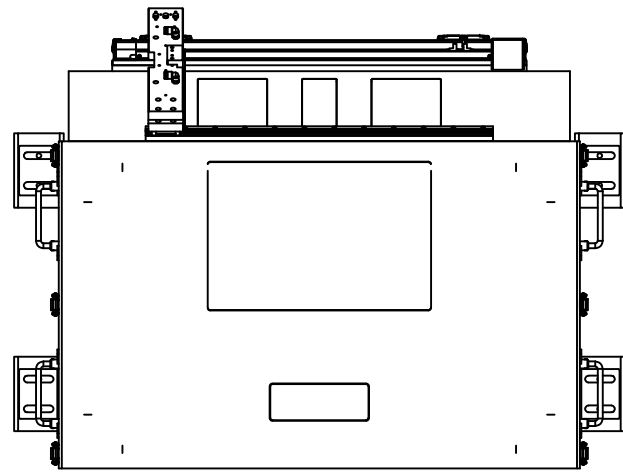
3 1



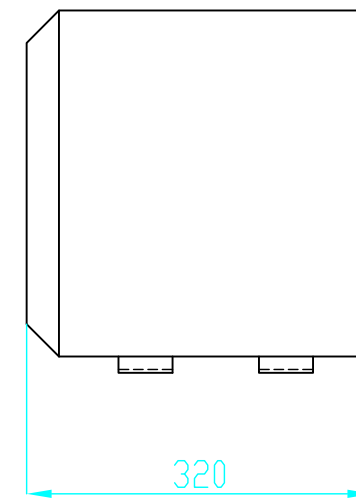
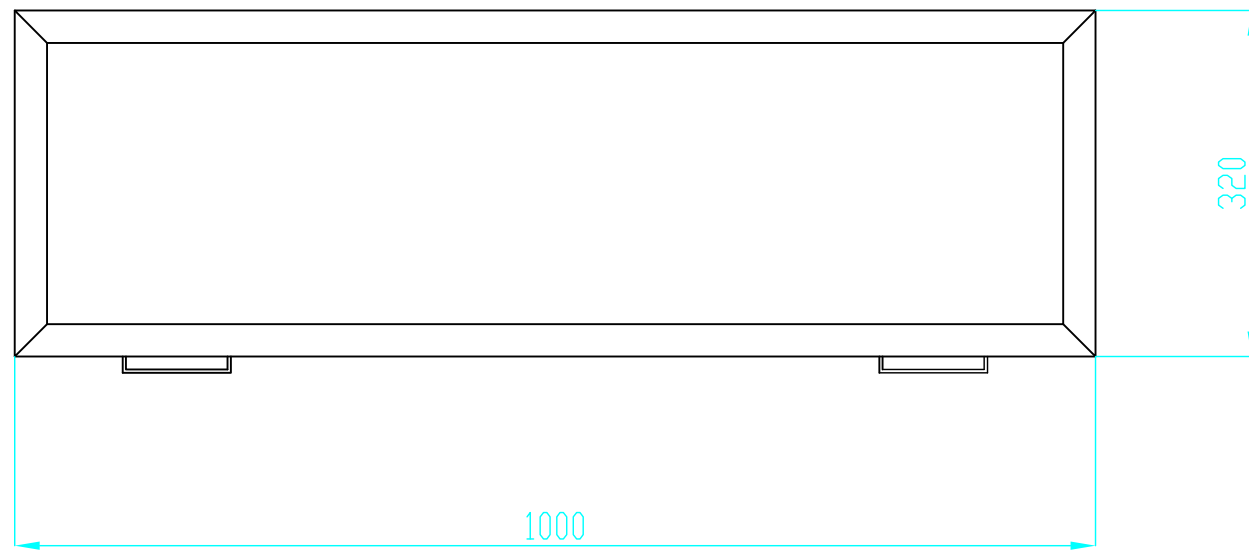
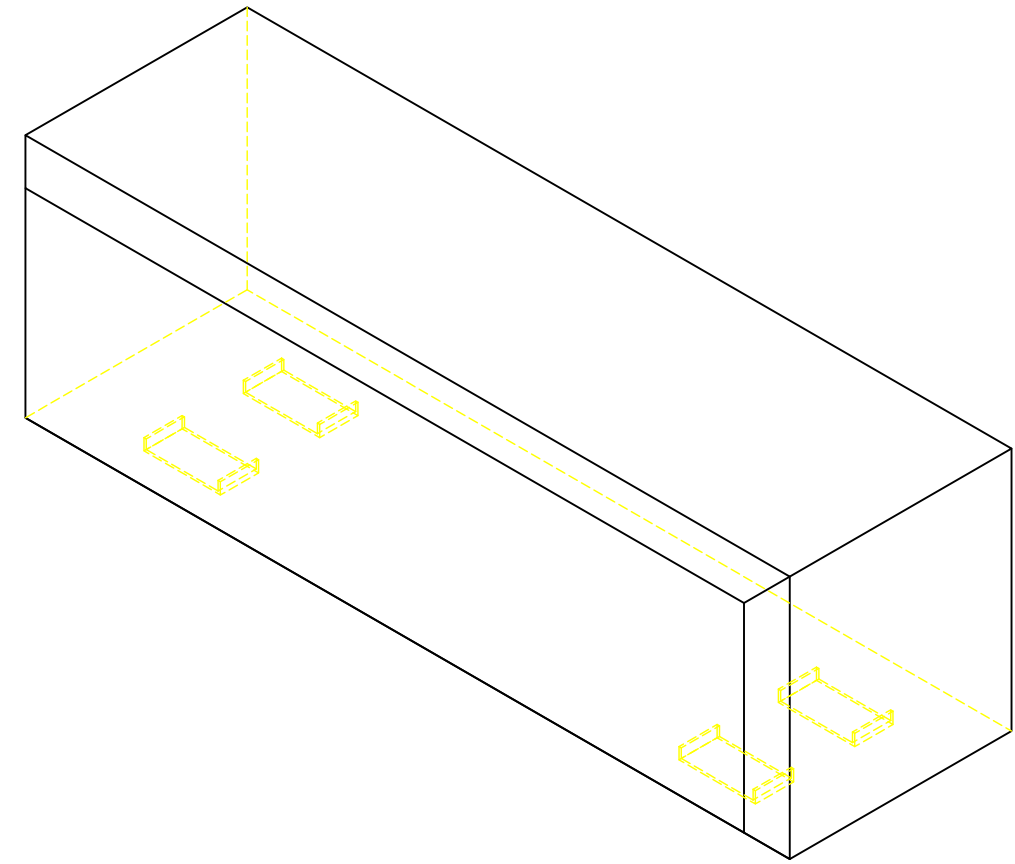
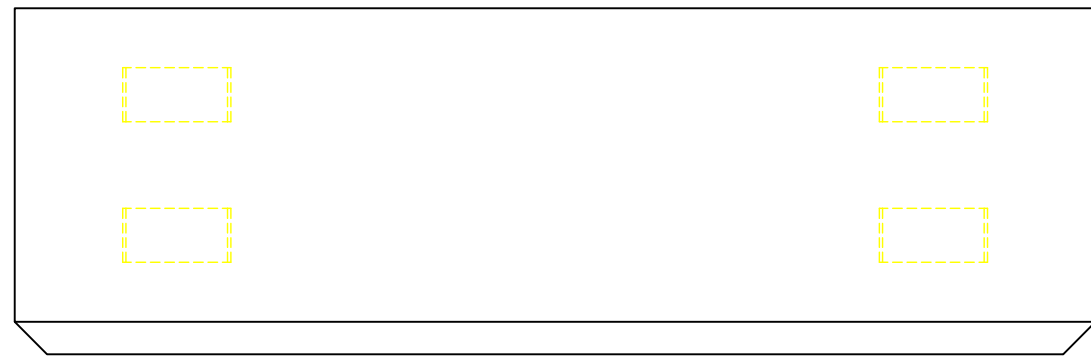
MODEL	MATERIAL	SCALE	Q' TY	TOLERANCE	2iSYS	
			-	±0.1	DESCRIPTION	
	FINISH	DRAWING BY	INSPECTED BY	APPROVED BY	선로시설 검측장치	
	DATE				DWG No	iis1804-02
					PART No	-



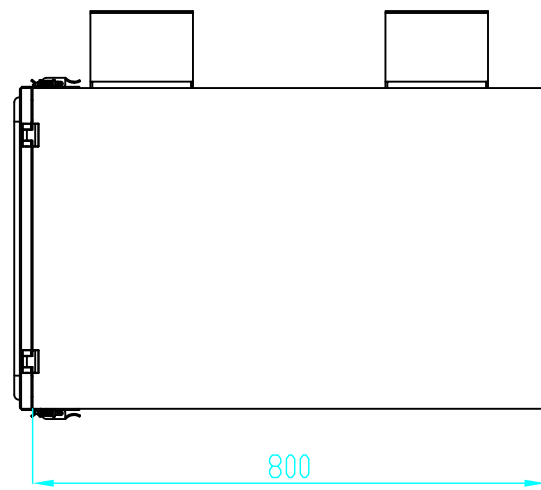
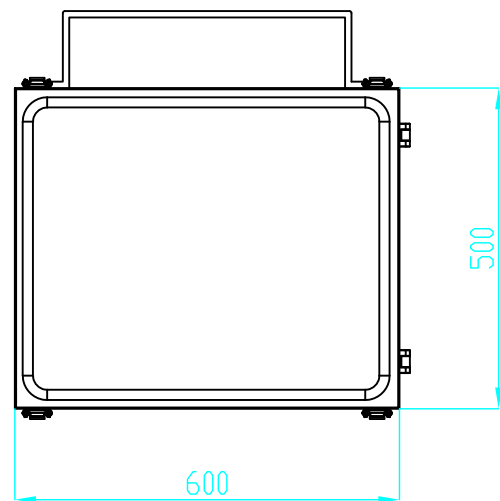
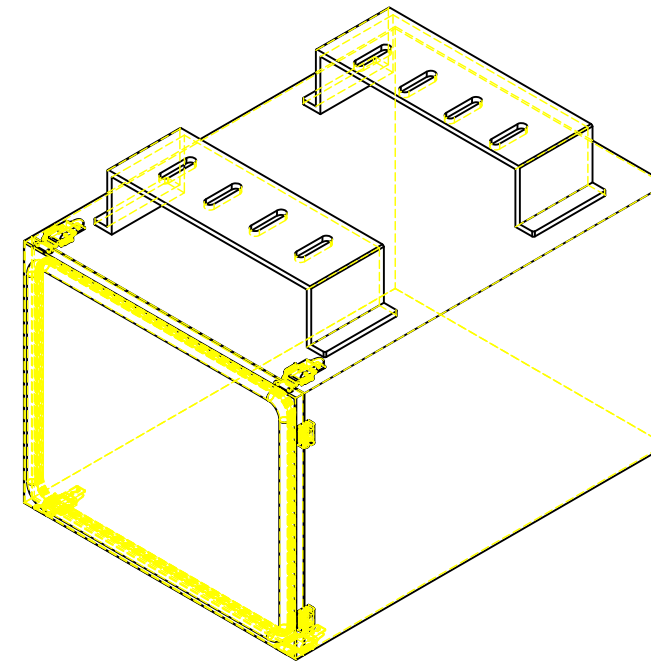
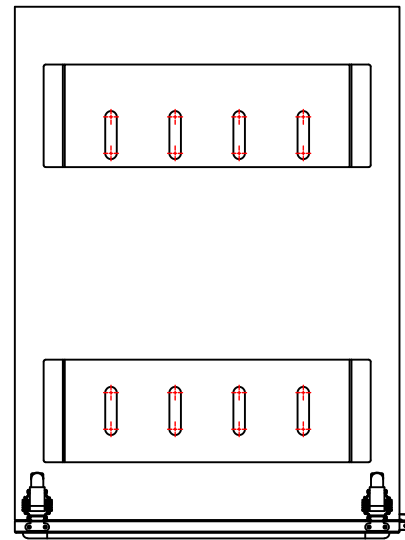
MODEL	MATERIAL	SCALE	Q' TY	TOLERANCE	2iSYS	
			-	±0.1	DESCRIPTION	
	FINISH	DRAWING BY	INSPECTED BY	APPROVED BY	조명 컨트롤러함	
	DATE				DWG No	iis1804-03
					PART No	-



MODEL	MATERIAL	SCALE	Q' TY	TOLERANCE	2iSYS
				±0.1	
	FINISH	DRAWING BY	INSPECTED BY	APPROVED BY	DESCRIPTION
	DATE				팬터그래프 충격지점 검측장치 및 아크영상 모니터링 장치
					DWG No iis1804-04
					PART No -



MODEL	MATERIAL	SCALE	Q' TY	TOLERANCE	2iSYS	
			-	±0.1	DESCRIPTION 검측영상 및 분석결과 저장장치	
	FINISH	DRAWING BY	INSPECTED BY	APPROVED BY		
	DATE				DWG No	iis1804-05
					PART No	-



MODEL	MATERIAL	SCALE	Q' TY	TOLERANCE	2iSYS	
				±0.1	DESCRIPTION	
	FINISH	DRAWING BY	INSPECTED BY	APPROVED BY	시설물변형 분석장치	
	DATE				DWG No	iis1804-06
					PART No	-