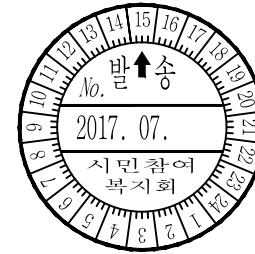


PROJECT NO. :
 PROJECT : 가락물 전기공사
 CUSTOMER : 서울시농수산물공사
 EQUIPMENT : DISTRIBUTION BOARD



△						
△						
△						
△						
△						
△	2017. 07.	ISSUED FOR APPROVAL	CAD	H.J. Kim	K.S. Kim	D.S. Kim
REV	DATE	CONTENTS	DESIGNED BY	CHECKED BY	REVIEWED BY	APPROVED BY

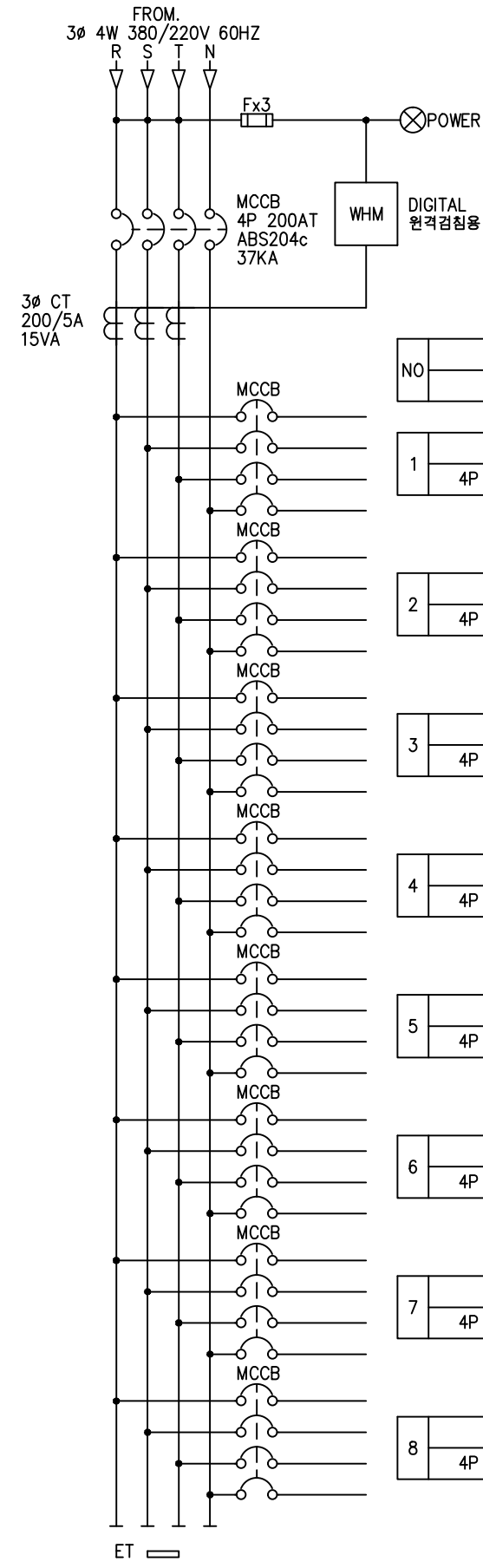


△						
△						
△						
△	2017.07	FOR APPROVAL	CAD	H.J. Kim	K.S. Kim	D.S. Kim
NO.	DATE	DESCRIPTIONS	DRN	DGN	RVW	APP

CLIENT		PROJECT NAME		VENDOR	
서울농수산물공사/가락물 전기공사		서울농수산물공사/가락물 전기공사		공드레 시민참여복지회	
DRAWING TITLE		CONTRACTOR DWG. NO.		JOB NO.	
COVER		03DC01		-	
		CAD FILE NAME		-	
		SCALE		TYPE	
		NONE		AS	
		PROJECT NO.		REV.	
		-		△	
		DRAWING NO.			
		C170702-03DC01			

CONTRACTOR DWG. NO.		JOB NO.	
03DC01		-	
CAD FILE NAME		-	
SCALE		TYPE	
NONE		AS	
PROJECT NO.		REV.	
-		△	
DRAWING NO.			
C170702-03DC01			

MAIN PANEL(1/2)



NO	FEEDER NAME	SPECIFICATION
1	FDR-1 PNL	4P 50AF/50AT, ABS54c, 18KA
2	FDR-2 PNL	4P 50AF/50AT, ABS54c, 18KA
3	FDR-3 PNL	4P 50AF/50AT, ABS54c, 18KA
4	FDR-4 PNL	4P 50AF/50AT, ABS54c, 18KA
5	FDR-5 PNL	4P 50AF/50AT, ABS54c, 18KA
6	FDR-6 PNL	4P 50AF/50AT, ABS54c, 18KA
7	FDR-7 PNL	4P 50AF/50AT, ABS54c, 18KA
8	FDR-8 PNL	4P 50AF/50AT, ABS54c, 18KA

BOX MATERIAL'S	
SUS(1.5T)	<input type="checkbox"/>
STEEL(1.6T)	<input type="radio"/>

DOOR MATERIAL'S	
SUS(1.5T)	<input type="checkbox"/>
STEEL(1.6T)	<input type="radio"/>

P-COVER	
DOOR	<input type="radio"/>
PC-ACRYL	<input type="checkbox"/>

MOUNT TYPE	
대 입	<input type="checkbox"/>
노 출	<input type="radio"/>

FOR APPROVAL

CLIENT

서울시농수산물공사
SEOUL AGRO-FISHERIES & FOOD CORPORATION

	2017.07	FOR APPROVAL	CAD	J.K. Yoo	D.G. An	D.S. Kim	
NO.	DATE	DESCRIPTIONS	DRN	DGN	RVW	APP	

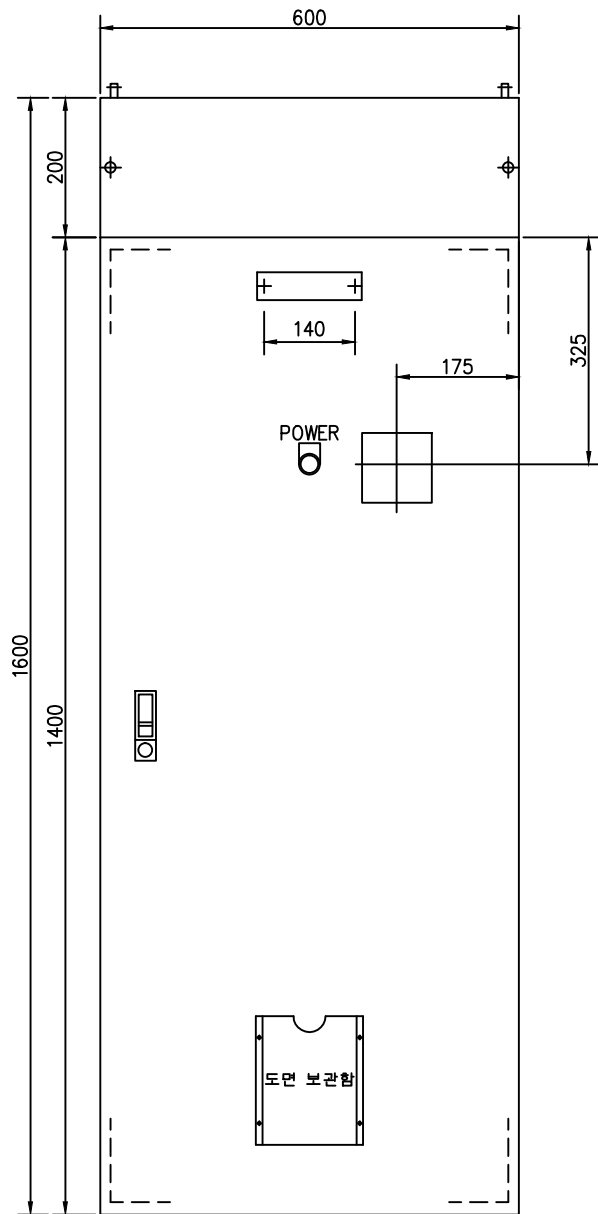
PROJECT NAME
서울농수산물공사/가락물 전기공사

DRAWING TITLE
THREE LINE & LAYOUT DIAGRAM
FOR DISTRIBUTION BOARD(MAIN PNL)

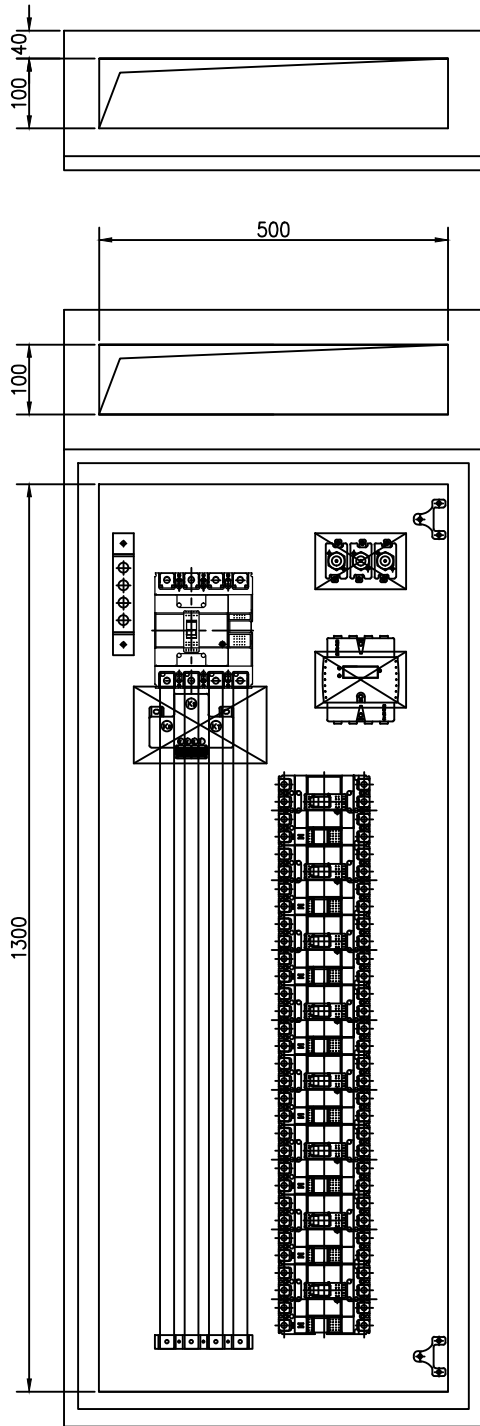
VENDOR
공드레 사단 법인 시민참여복지회

CONTRACTOR DWG. NO.		JOB NO.	
CAD FILE NAME		-	
SCALE	PROJECT NO.	DRAWING NO.	TYPE
NONE	-	C170702-03DRL01-1	A3
		REV.	

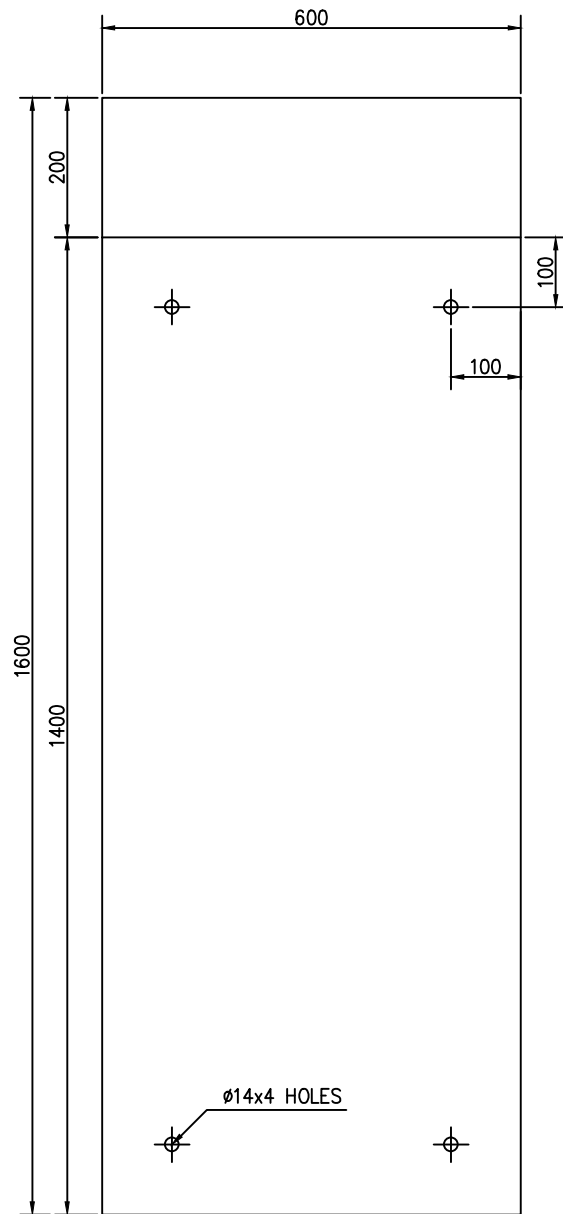
MAIN PANEL(2/2)



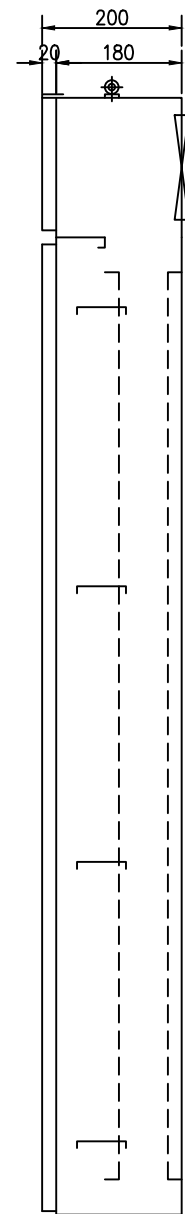
FRONT VIEW



INNER VIEW



REAR VIEW



SIDE VIEW

BOX MATERIAL'S	
SUS(2.0T)	<input type="checkbox"/>
STEEL(1.6T)	<input checked="" type="checkbox"/>

DOOR MATERIAL'S	
SUS(2.0T)	<input type="checkbox"/>
STEEL(1.6T)	<input checked="" type="checkbox"/>

P-COVER	
DOOR	<input checked="" type="checkbox"/>
PC-ACRYL	<input type="checkbox"/>

MOUNT TYPE	
대 입	<input checked="" type="checkbox"/>
노 출	<input type="checkbox"/>

FOR APPROVAL

CLIENT



서울시농수산물공사
SEOUL AGRO-FISHERIES & FOOD CORPORATION

△							
△							
△							
△	2017.07	FOR APPROVAL	CAD	J.K. Yoo	D.G. An	D.S. Kim	
NO.	DATE	DESCRIPTIONS	DRN	DGN	RVW	APP	

PROJECT NAME
서울농수산물공사/가락물 전기공사

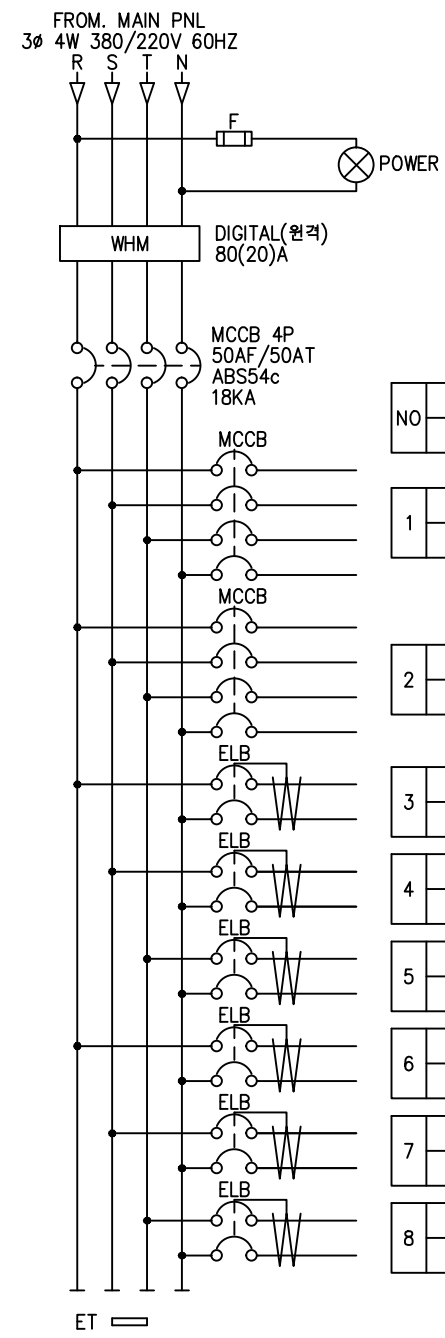
DRAWING TITLE
THREE LINE & LAYOUT DIAGRAM
FOR DISTRIBUTION BOARD(MAIN PNL)

VENDOR
공드래 사단 시민참여복지회

CONTRACTOR DWG. NO.		JOB NO.		
CAD FILE NAME		-		
SCALE	PROJECT NO.	DRAWING NO.	TYPE	REV.
NONE	-	C170702-03DRL01-2	AS	△

FEEDER PANEL(1/2)

8SET'S



NO	FEEDER NAME	SPECIFICATION
1	SPARE	4P 30AF/30AT,ABC34c, 14KA
2	SPARE	4P 30AF/30AT,ABC34c, 14KA
3	SPARE	2P 30AF/20AT,32GRhd,2.5KA
4	SPARE	2P 30AF/20AT,32GRhd,2.5KA
5	SPARE	2P 30AF/20AT,32GRhd,2.5KA
6	SPARE	2P 30AF/20AT,32GRhd,2.5KA
7	SPARE	2P 30AF/20AT,32GRhd,2.5KA
8	SPARE	2P 30AF/20AT,32GRhd,2.5KA

BOX MATERIAL'S	
SUS(1.5T)	<input type="checkbox"/>
STEEL(1.6T)	<input type="radio"/>

DOOR MATERIAL'S	
SUS(1.5T)	<input type="checkbox"/>
STEEL(1.6T)	<input type="radio"/>

P-COVER	
DOOR	<input type="radio"/>
PC-ACRYL	<input type="checkbox"/>

MOUNT TYPE	
매입	<input type="checkbox"/>
노출	<input type="radio"/>

FOR APPROVAL

CLIENT

서울시농수산물공사
SEOUL AGRO-FISHERIES & FOOD CORPORATION

NO.	DATE	DESCRIPTIONS	DRN	DGN	RVW	APP
1	2017.07	FOR APPROVAL	CAD	J.K. Yoo	D.G. An	D.S. Kim

PROJECT NAME
서울농수산물공사/가락물 전기공사

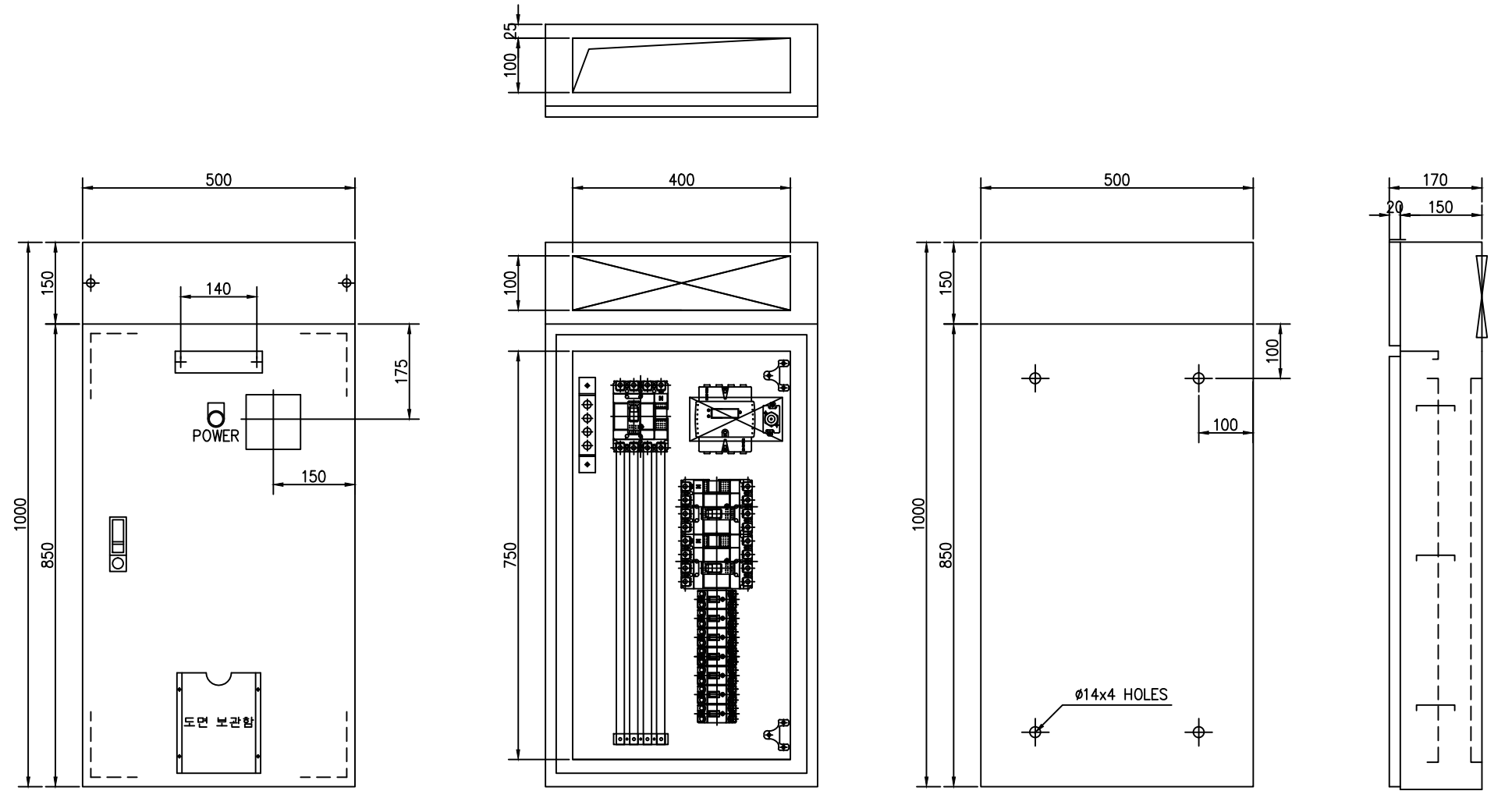
DRAWING TITLE
THREE LINE & LAYOUT DIAGRAM
FOR DISTRIBUTION BOARD(FEEDER PNL)

VENDOR
공드래 사단 법인 시민참여복지회

CONTRACTOR DWG. NO.		JOB NO.	
CAD FILE NAME		-	
SCALE	PROJECT NO.	DRAWING NO.	TYPE
NONE	-	C170702-03DRL02-1	AS

FEEDER PANEL(2/2)

8SET'S



FRONT VIEW

INNER VIEW

REAR VIEW

SIDE VIEW

BOX MATERIAL'S	
SUS(1.5T)	<input type="checkbox"/>
STEEL(1.6T)	<input checked="" type="checkbox"/>

DOOR MATERIAL'S	
SUS(1.5T)	<input type="checkbox"/>
STEEL(1.6T)	<input checked="" type="checkbox"/>

P-COVER	
DOOR	<input checked="" type="checkbox"/>
PC-ACRYL	<input type="checkbox"/>

MOUNT TYPE	
대 입	<input type="checkbox"/>
노 출	<input checked="" type="checkbox"/>

FOR APPROVAL

CLIENT



서울시농수산물공사
SEOUL AGRO-FISHERIES & FOOD CORPORATION

NO.	DATE	DESCRIPTIONS	DRN	DGN	RVW	APP
	2017.07	FOR APPROVAL	CAD	J.K. Yoo	D.G. An	D.S. Kim

PROJECT NAME
서울농수산물공사/가락물 전기공사

DRAWING TITLE
THREE LINE & LAYOUT DIAGRAM
FOR DISTRIBUTION BOARD(FEEDER PNL)

VENDOR
공드래 사단 법인 시민참여복지회

CONTRACTOR DWG. NO.		JOB NO.	
CAD FILE NAME	03DRL02-2		-
SCALE	PROJECT NO.	DRAWING NO.	TYPE
NONE	-	C170702-03DRL02-2	A3